

# Schröder

## OMNISTAR

### OPTICAL BLOCK FIXATIONS 3.

**PO**

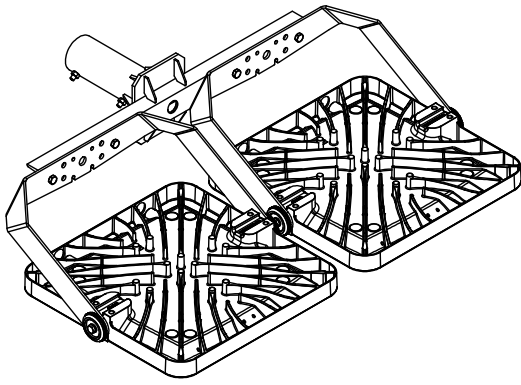
HORIZONTAL FIXATION KIT FOR 2 OPTICAL BLOCKS FOR Ø76 TUBE

**PL**

VERTICAL FIXATION KIT FOR 2 OPTICAL BLOCKS FOR Ø76-108MM

**PM**

VERTICAL FIXATION KIT FOR 3 OPTICAL BLOCKS FOR Ø76-108MM



# Schröder

## HORIZONTAL FIXATION KIT FOR 2 OPTICAL BLOCKS FOR Ø76mm TUBE

PO



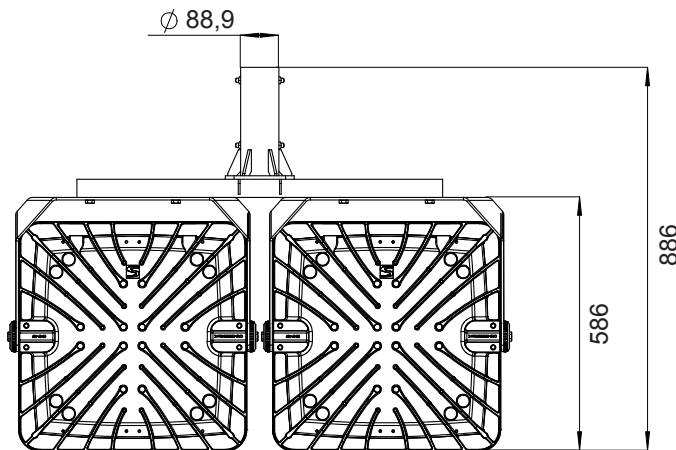
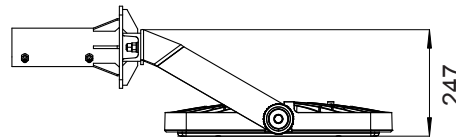
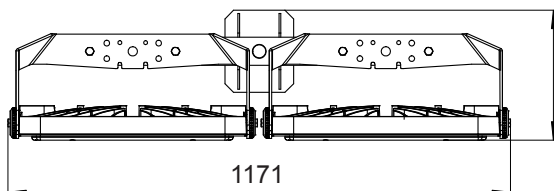
OMNOB

B5

PO

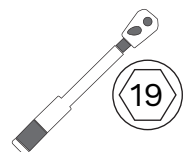
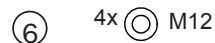
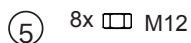
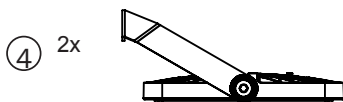
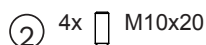
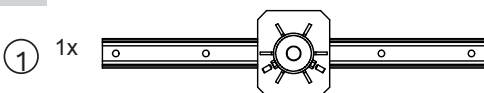
$$\begin{matrix} \text{14kg} & \text{14kg} \end{matrix} + \begin{matrix} \text{4.5kg} & \text{4.5kg} \end{matrix} + \begin{matrix} \text{10.5kg} \end{matrix} = \begin{matrix} \text{47.5kg} \end{matrix}$$

**2x** OMNOB + B5 + PO



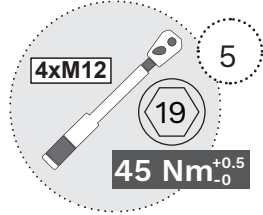
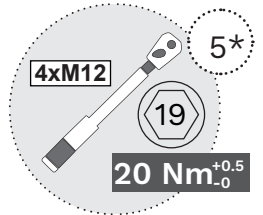
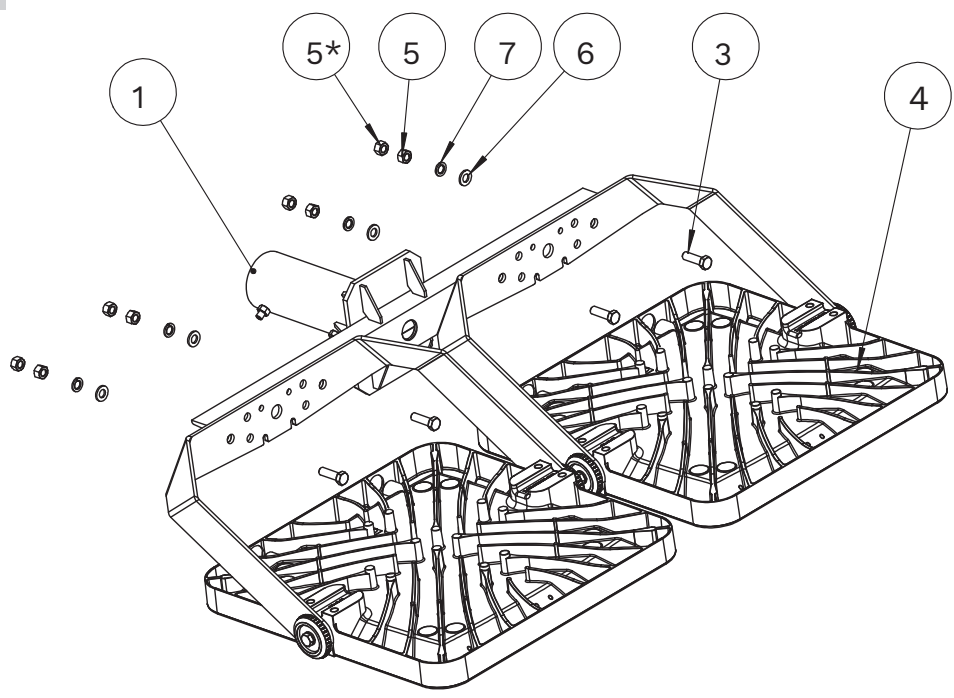
**A**

PO

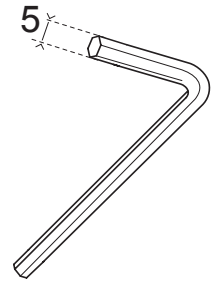
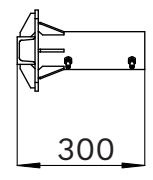
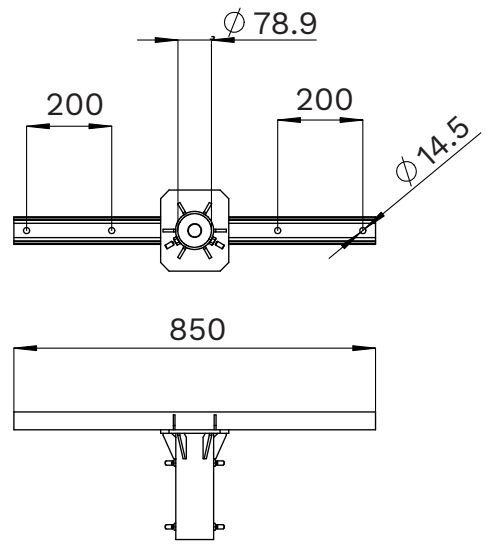


1

OMNOB + B5 + PO

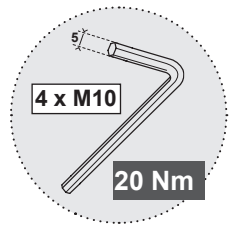
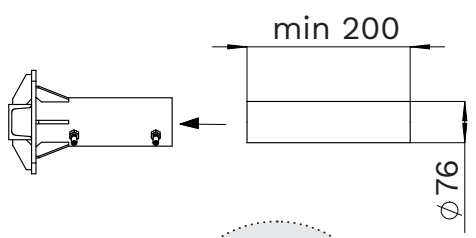
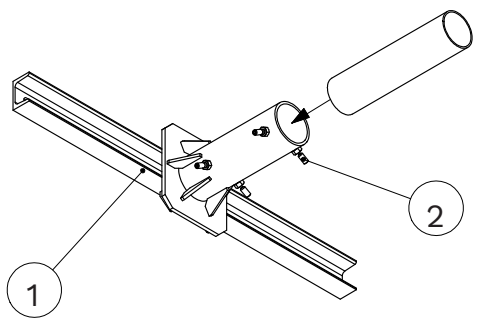


2



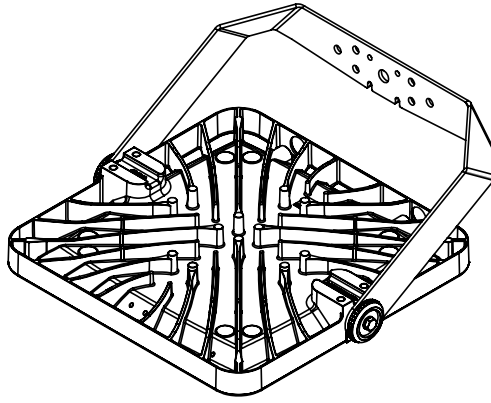
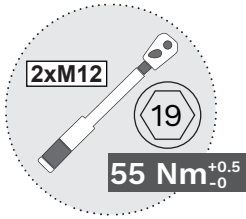
3

PO



4

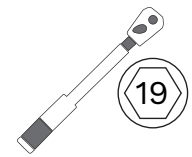
2x OMNOB + B5



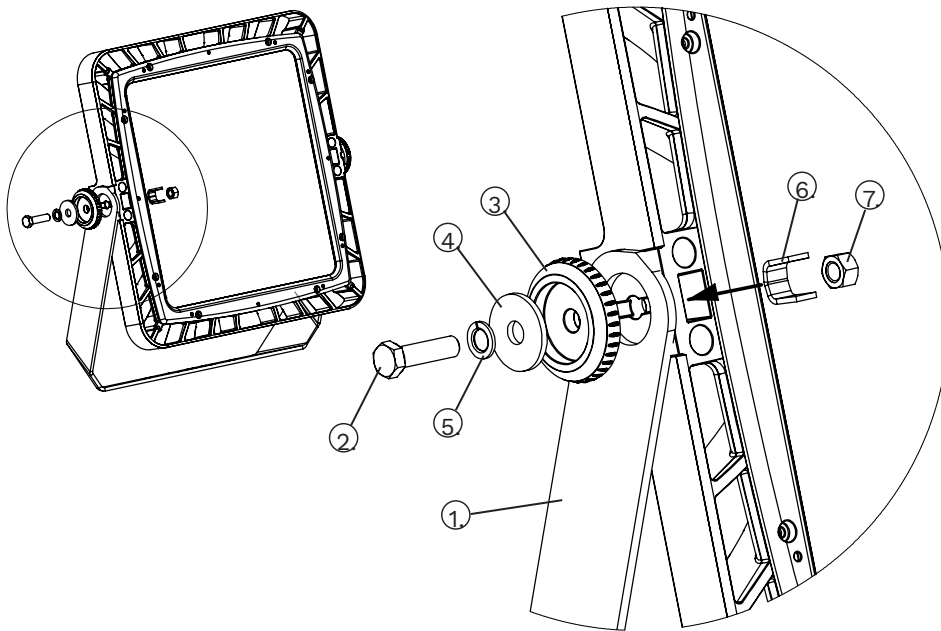
B

- ① 2x
- ② 4x M12x40
- ③ 4x
- ④ 4x M12
- ⑤ 4x M12
- ⑥ 4x
- ⑦ 4x M12

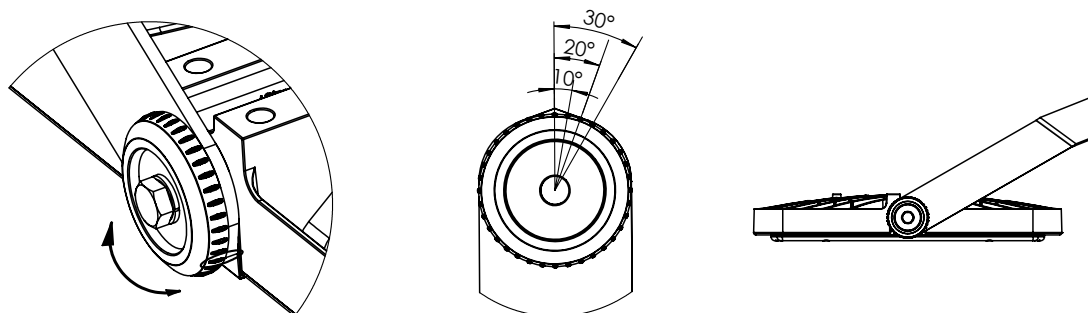
B5

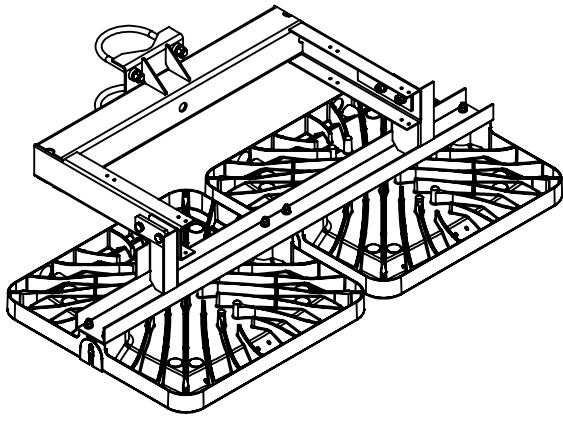


1



2

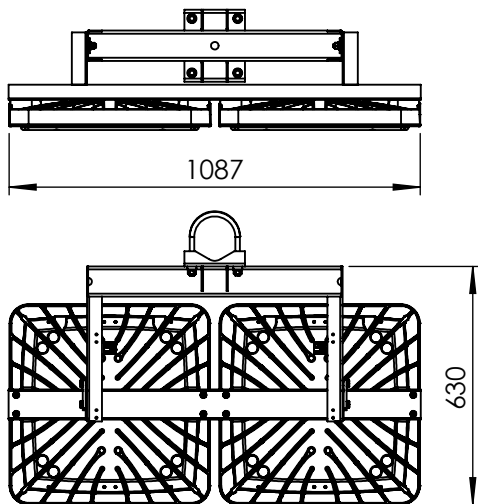
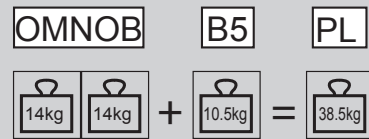




# Schröder

## VERTICAL FIXATION KIT FOR 2 OPTICAL BLOKS FOR Ø76-108mm

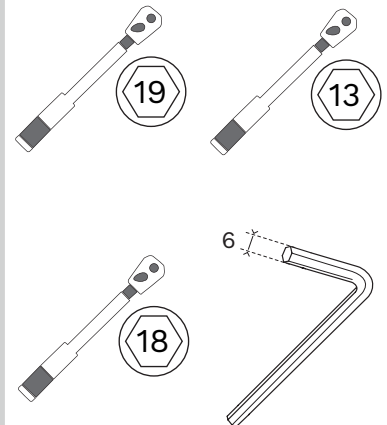
PL



### A

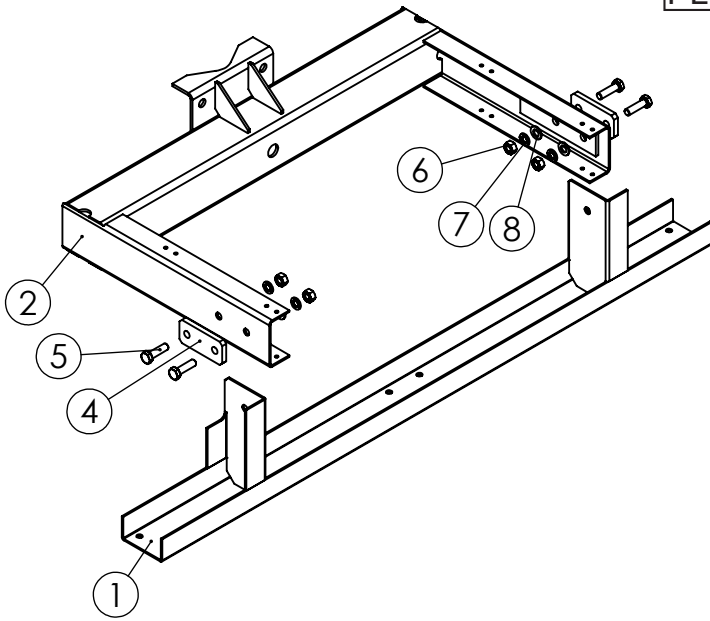
- ① 1x
- ② 1x
- ③ 2x M12
- ④ 2x
- ⑤ 4x M10x35
- ⑥ 4x M10
- ⑦ 4x M10
- ⑧ 4x M10
- ⑨ 4x M12
- ⑩ 4x M12
- ⑪ 4x M12
- ⑫ 8x M8x60
- ⑬ 8x M8
- ⑭ 8x M8
- ⑮ 8x M8

PL



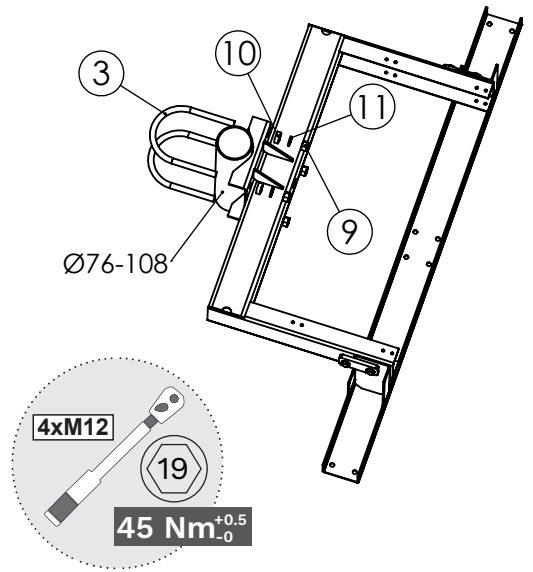
1

PL



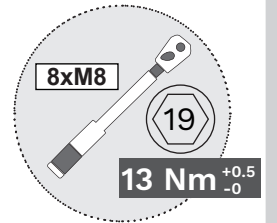
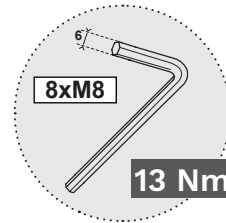
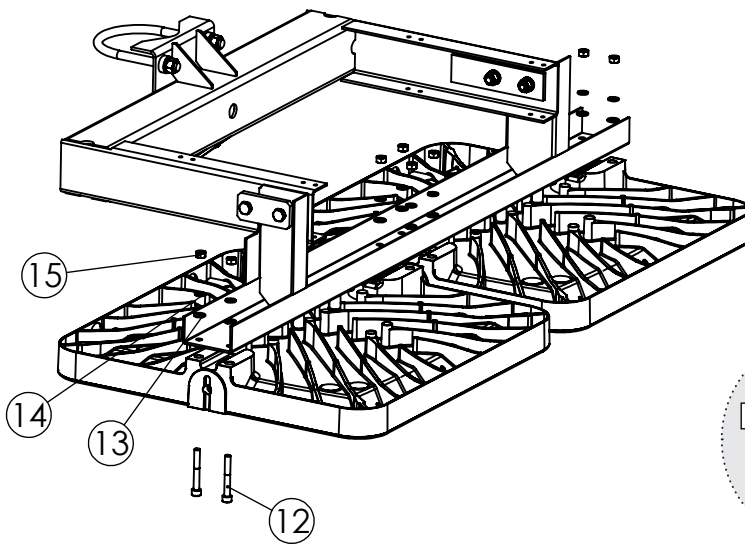
2

PL

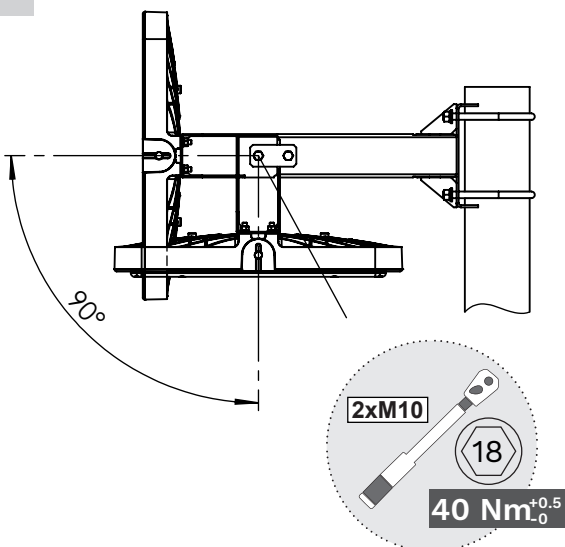


3

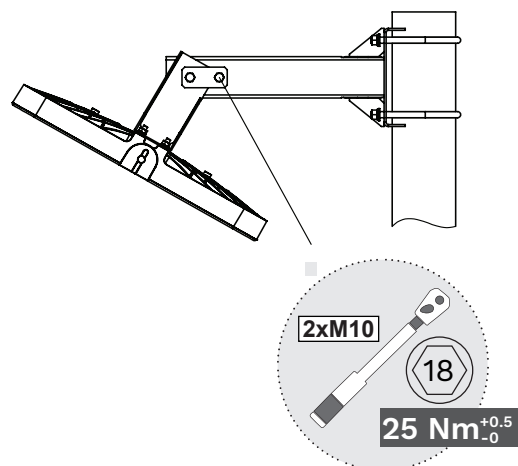
OMNOB + PL



4 a

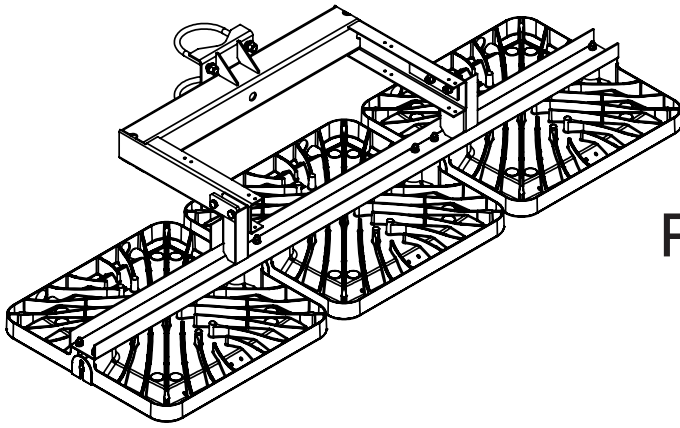


4 b



# Schröder

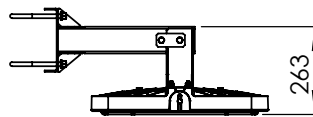
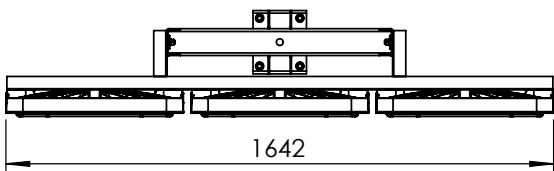
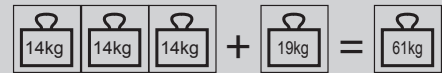
## BRACKET FOR 3 OPTICAL BLOCKS (vertical mounting)



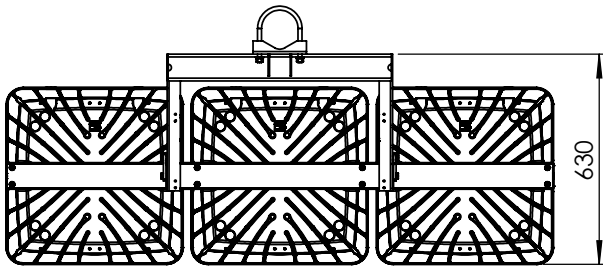
PM



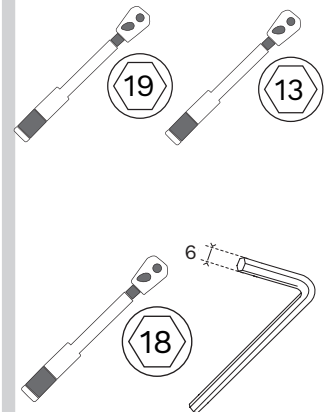
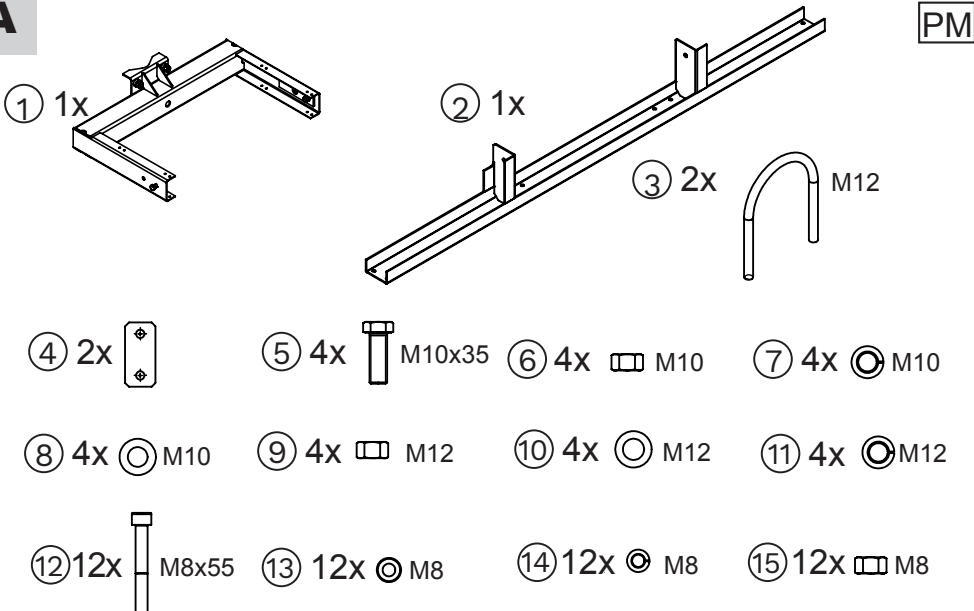
OMNISTAR OB Dir

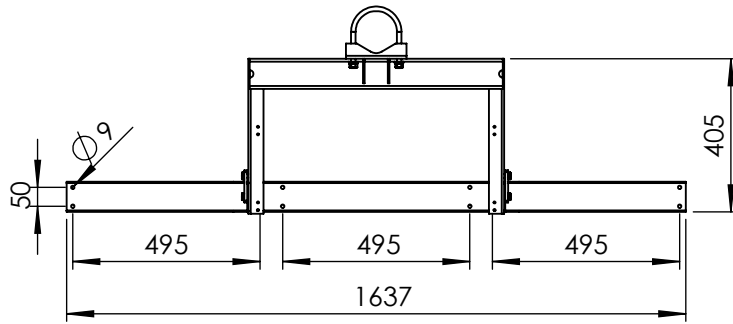


3x OMNOB + PM



### A





PM

