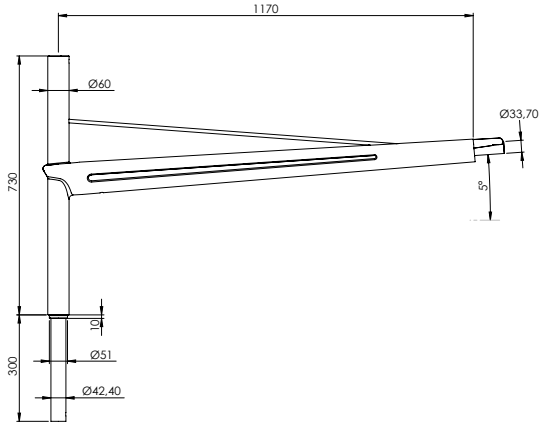


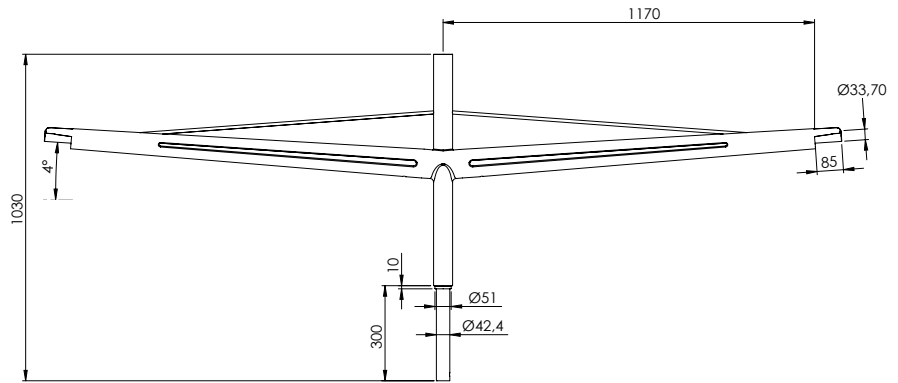
CONDOR range

Interface datasheet

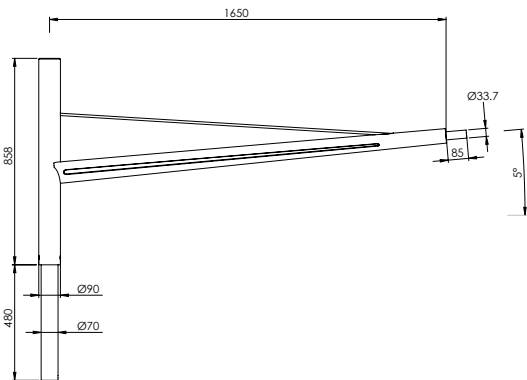
CONDOR top simple 1150 / pole Ø60



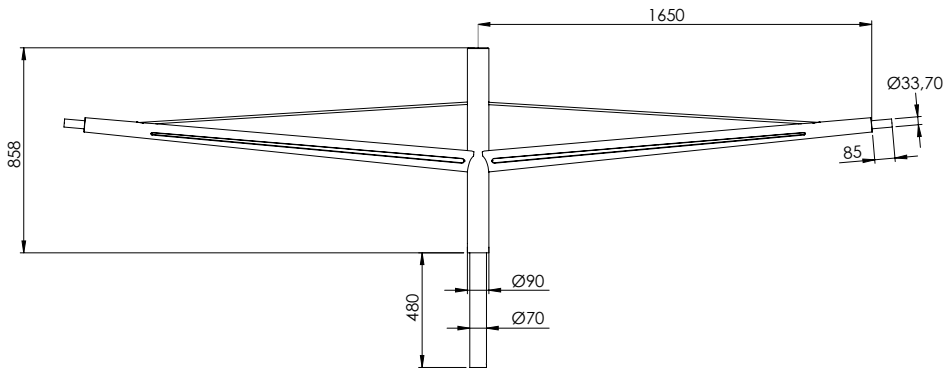
CONDOR top double 1150 / pole Ø60



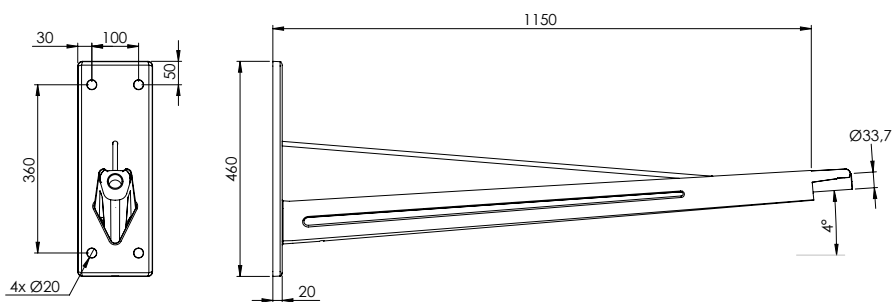
CONDOR top simple 1650 / pole Ø90



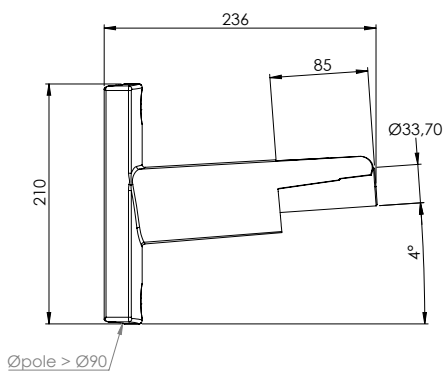
CONDOR top double 1650 / pole Ø90



CONDOR Wall 1150



CONDOR lateral on pole 150



Drilling information for lateral mounting on pole

