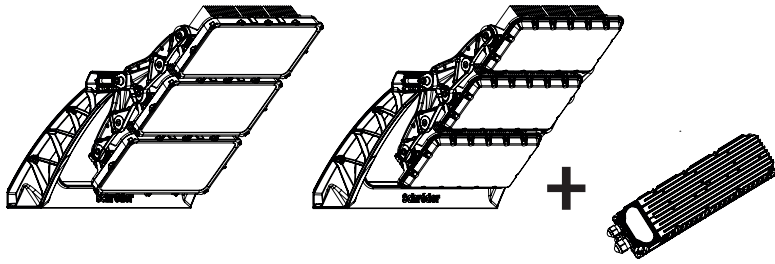


Schröder

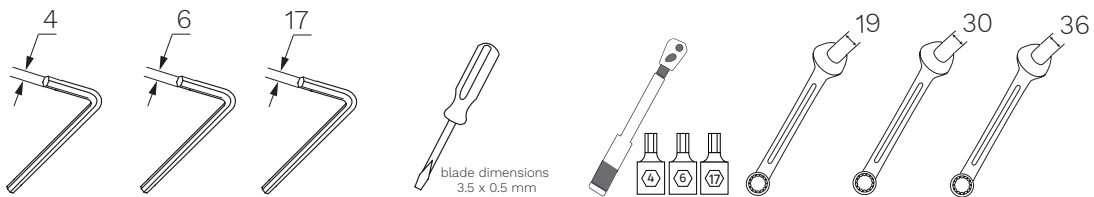
OMNIBLAST

GEN2 3

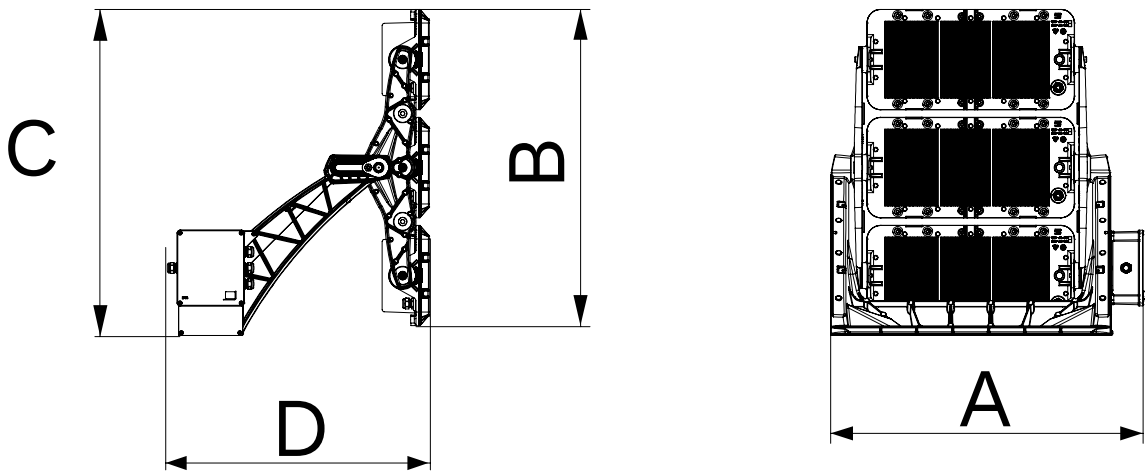


ENG	INSTALLATION INSTRUCTIONS	ITA	ISTRUZIONI DI INSTALLAZIONE	NLD	INSTALLATIE INSTRUCTIES	DAN	INSTALLATIONSVEJLEDNING	HUN	TELEPÍTÉSI ÚTMUTATÓ
DEU	INSTALLATIONSANLEITUNG	POL	INSTRUKCJE MONTAŻU	RUS	Инструкции по установке	RON	INSTRUCȚIUNI DE INSTALARE	CHI	安装说明
FRA	INSTRUCTIONS DE MONTAGE	SPA	INSTRUCCIONES DE INSTALACIÓN	POR	INSTRUÇÕES DE INSTALAÇÃO	SWE	INSTALLATIONSANVISNING	UKR	Інструкції з монтажу
SRP	UPUTSTVA ZA INSTALACIJU	AR	تعليمات التركيب						

								1740W	220-400V 50/60Hz	IP GEAR 66	IK GEAR 08	IP OPT 66	IK PC 10	IK GLASS 09
--	--	--	--	--	--	--	--	-------	---------------------	------------------	------------------	-----------------	----------------	-------------------

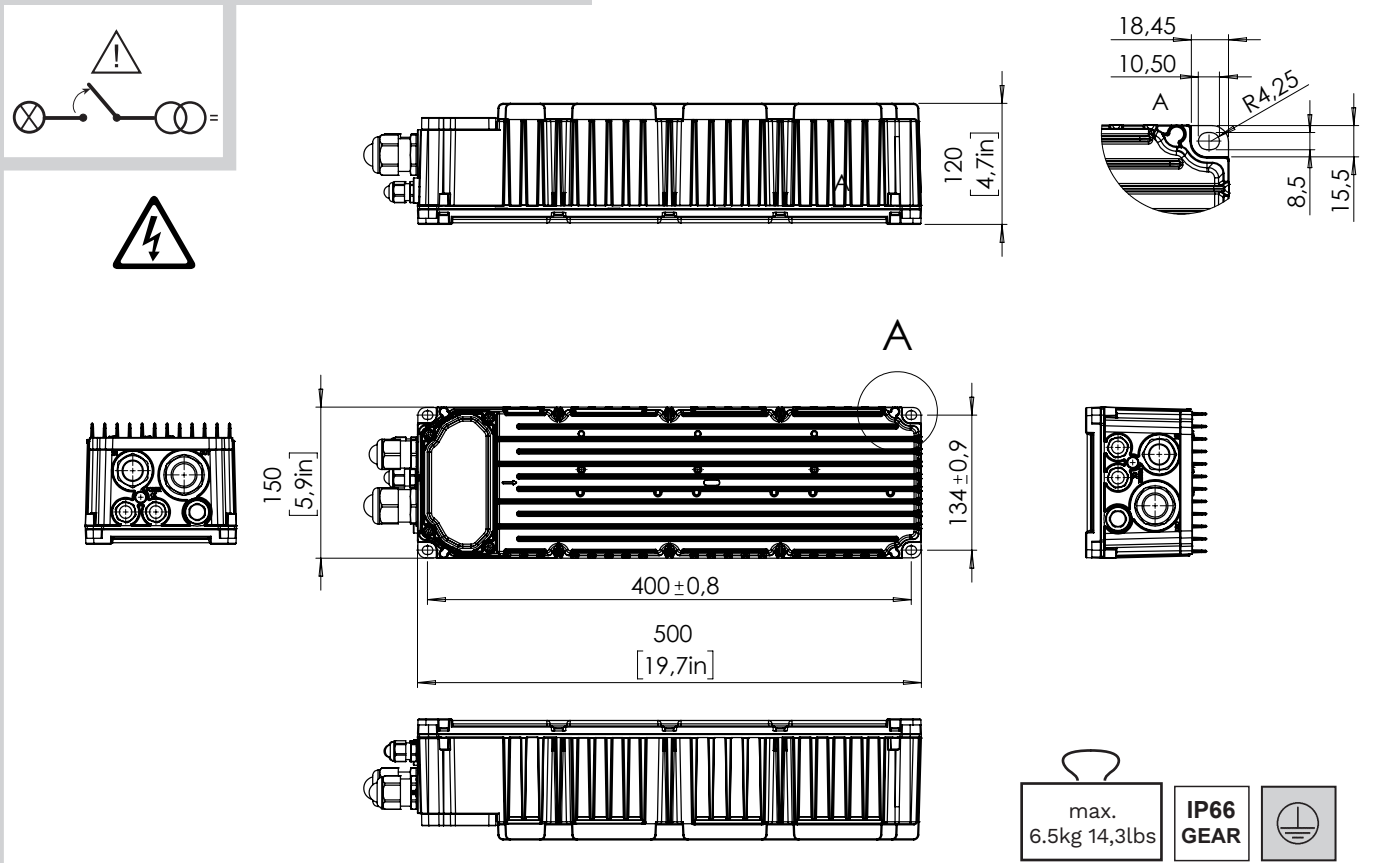


A - PRODUCT OVERVIEW

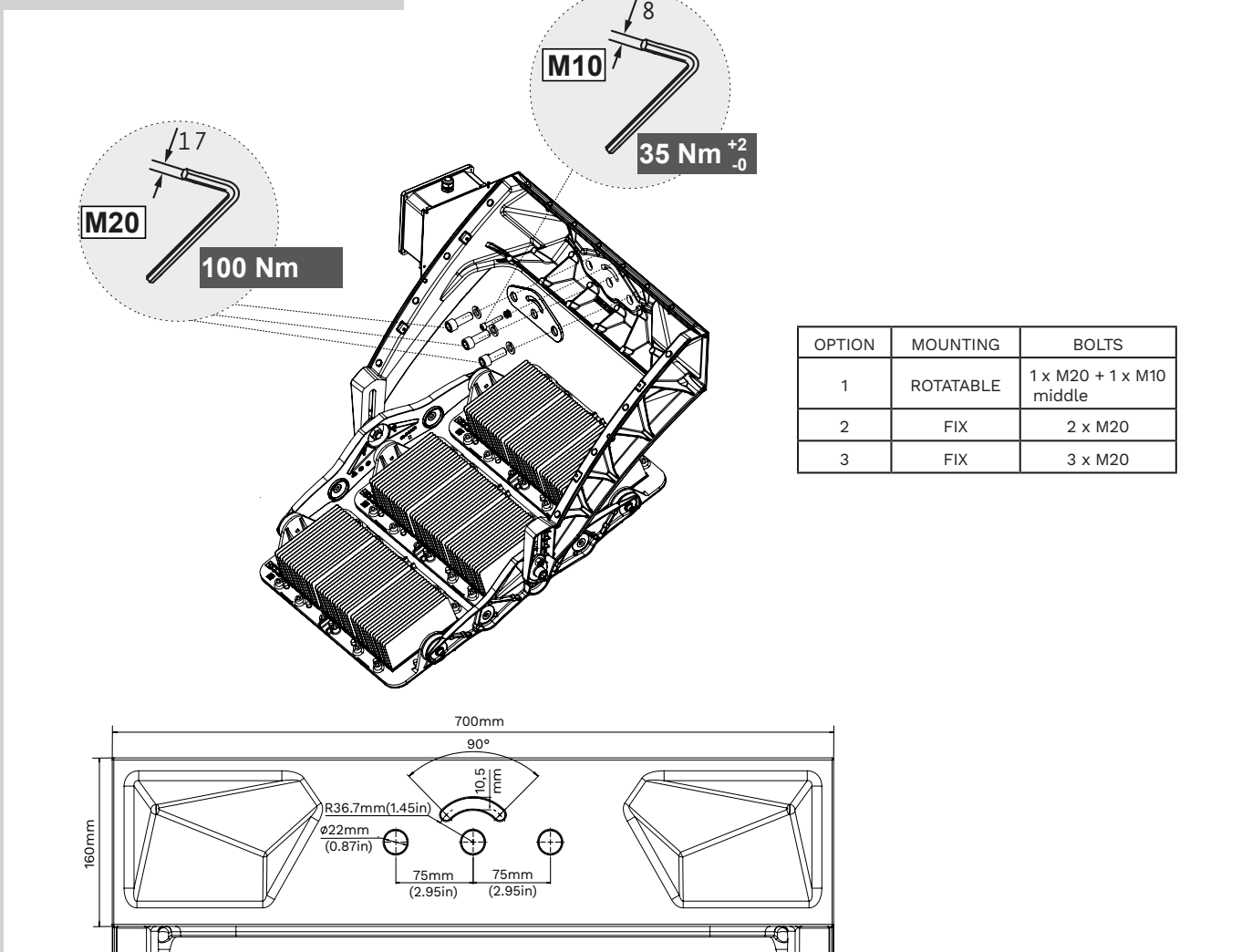


	A	B	C	D	Glass	PC	CxS	EPA
	mm/inch				kg/lbs	kg/lbs	m ²	ft ²
OMNIBLAST GEN2 3	780/30.7	790.8/31.1	816/32.1	654/25.7	35/77.16	30/66.1	0.479	5.15

B - GEARBLAST – DRIVER OVERVIEW

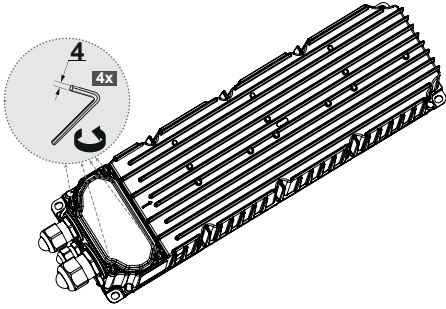


C - LAYOUT AND MOUNTING

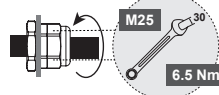
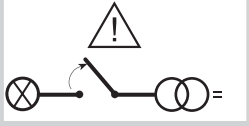
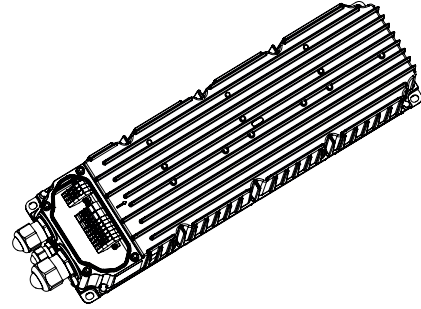


D - DRIVER CONNECTION

① REMOVE SCREWS



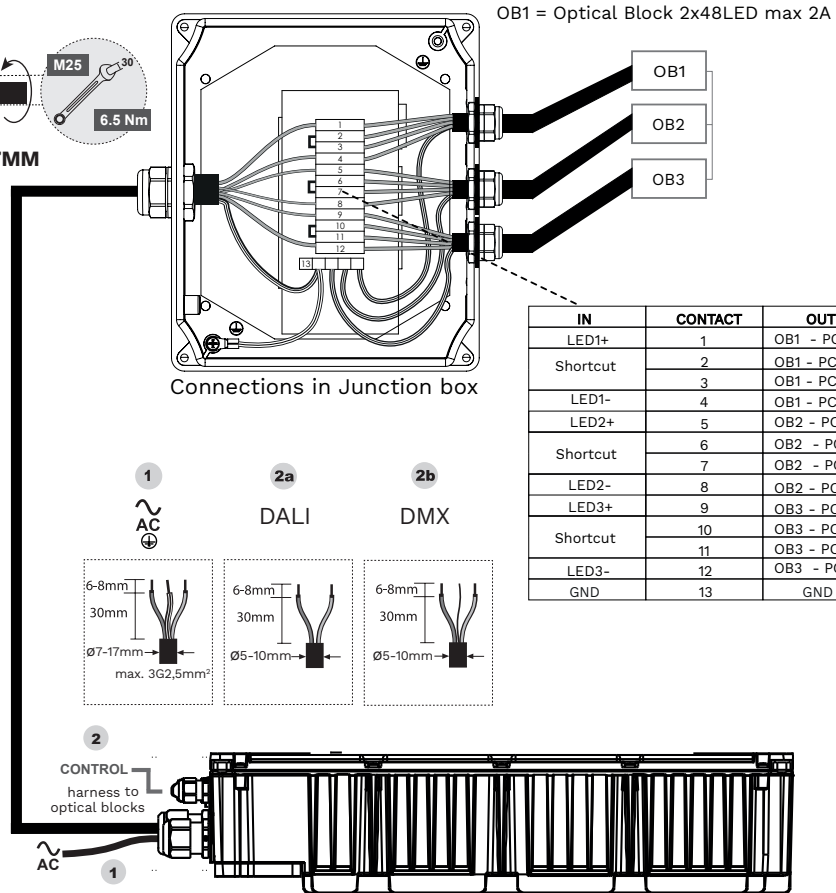
② CONNECT THE AC, CONTROL, LED MODULE WIRES



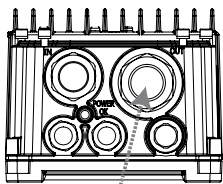
CLAMPING RANGE: 9-17MM

RECOMMENDED EU / US
CABLE TYPE **H07RNF / SOOW**
7G1.5mm² (<100m) / 7G-AWG16
7G2.5mm² (<200m) / 7G-AWG14

INTERCONNECTION CABLE IS AN
OPTIONAL ACCESSORY, NOT ALWAYS
INCLUDED!

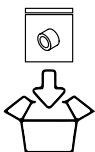


OPTICAL BLOCK



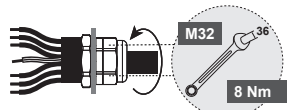
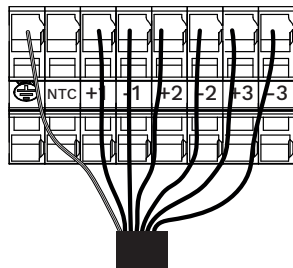
OUTPUT

M32 CABLE GLAND
CLAMPING RANGE: 13-21MM



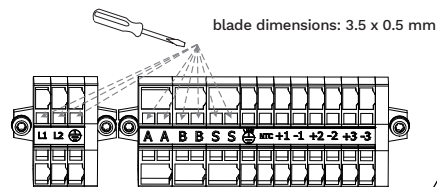
In case of using smaller outer diameter cable, please replace the cable gland's internal gasket with the one attached in the packaging. Modified clamping range: 8-14 mm

3 channels



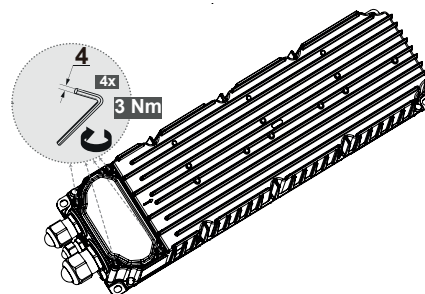
CONNECTOR ID	CABLE ID
GND	Yellow/Green
+1	1
-1	2
+2	3
-2	4
+3	5
-3	6

③ MAKE THE ELECTRICAL CONNECTION

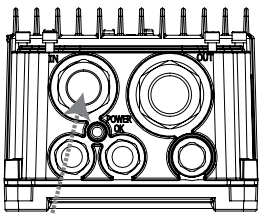


Use appropriate tool for electrical connections!

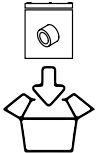
④ TIGHTEN THE DRIVER COVER



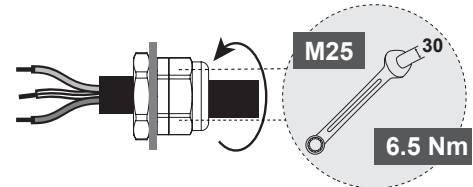
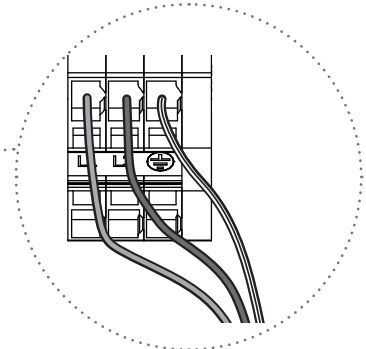
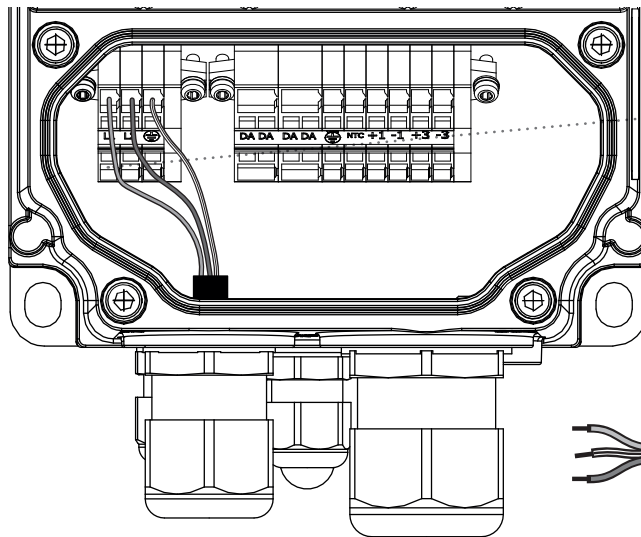
MAINS CONNECTION



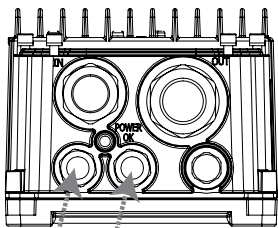
M25 CABLE GLAND
CLAMPING RANGE: 10-17MM



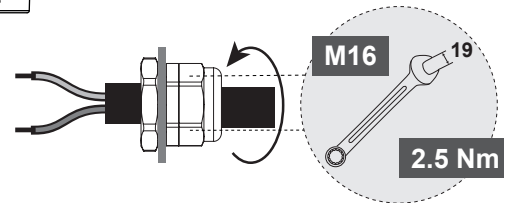
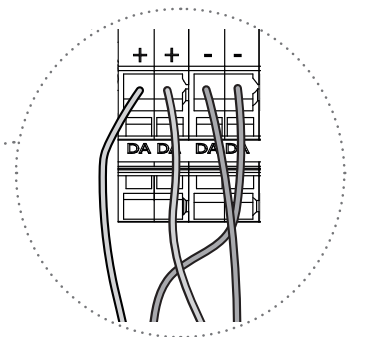
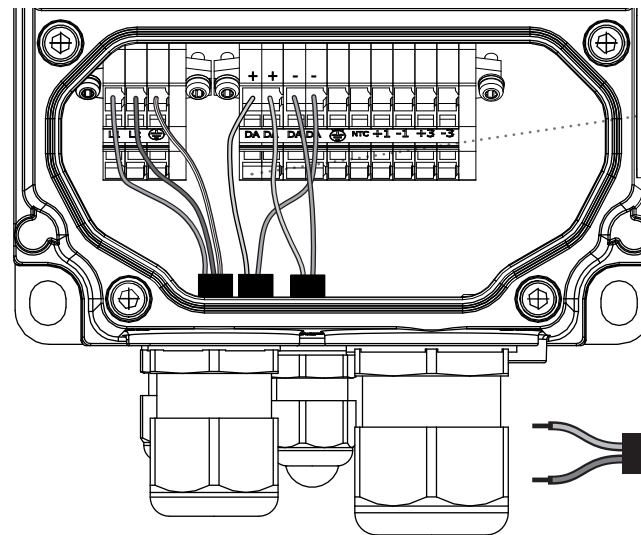
In case of using smaller outer diameter cable, please replace the cable gland's internal gasket with the one attached in the packaging.
Modified clamping range: 7-13 mm



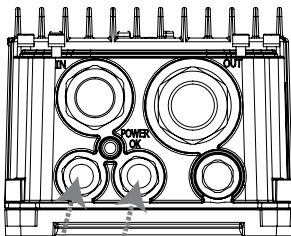
DALI



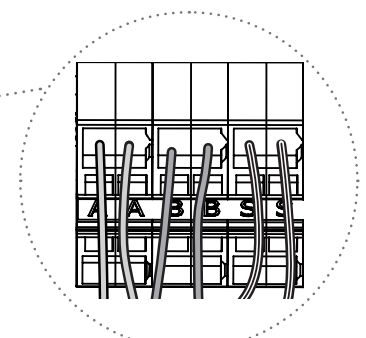
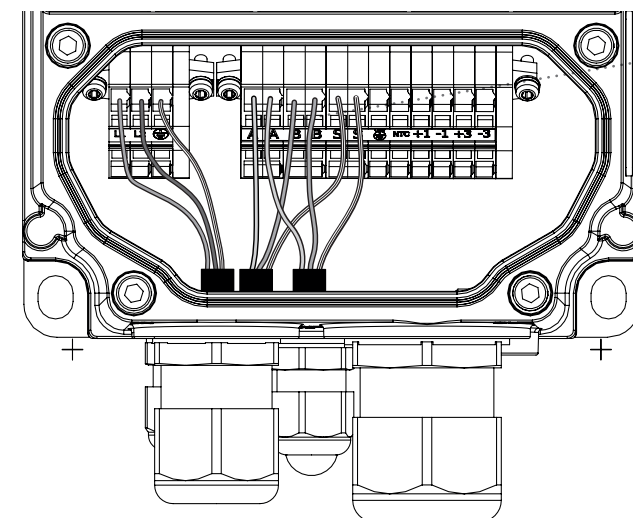
DALI DALI Re-launch
2X M16 CABLE GLAND
CLAMPING RANGE: 5-10MM



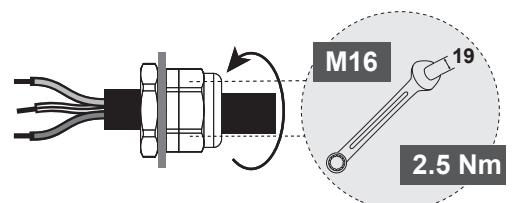
DMX



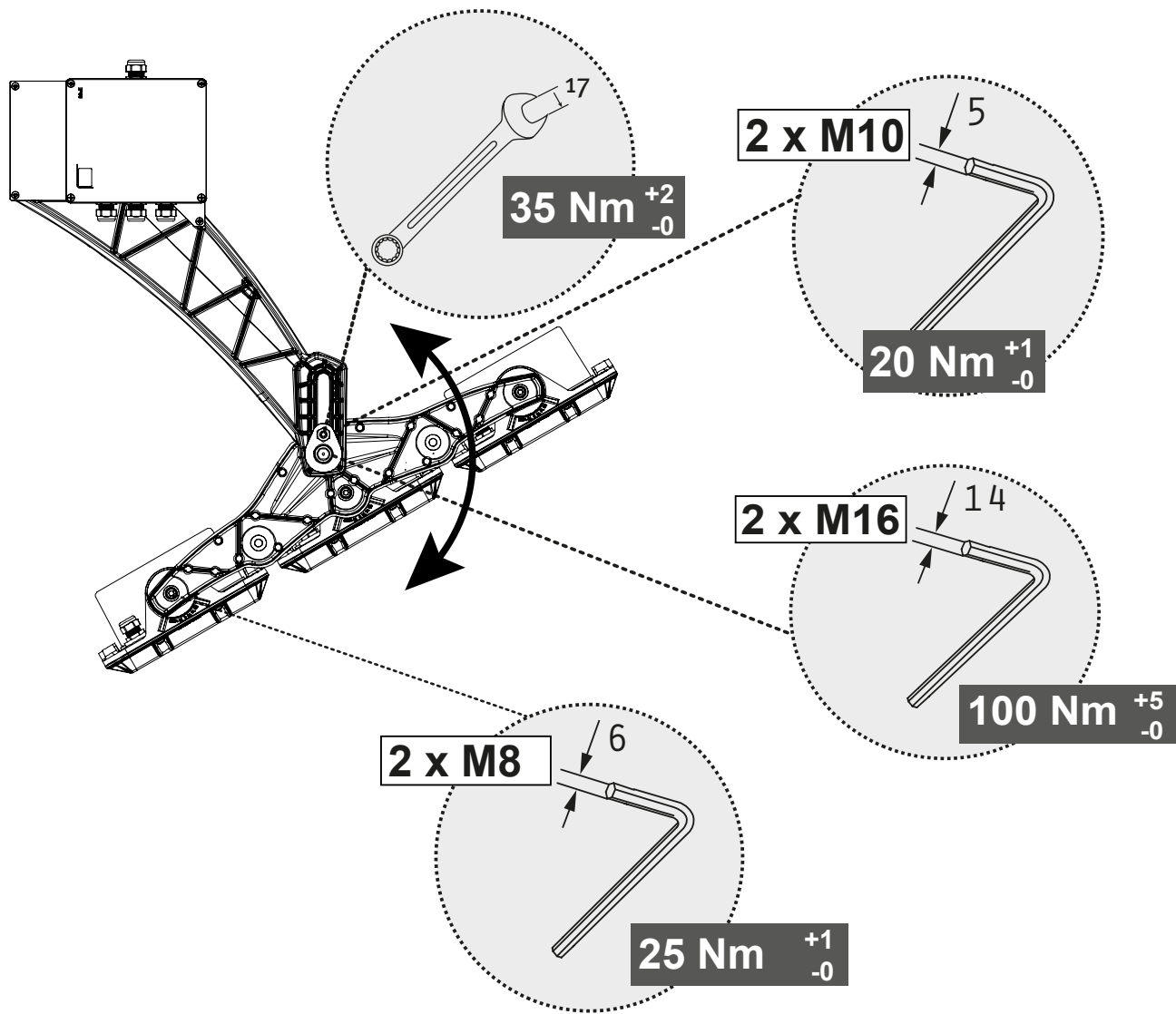
DMX DMX Re-launch
2X M16 CABLE GLAND
CLAMPING RANGE: 5-10MM



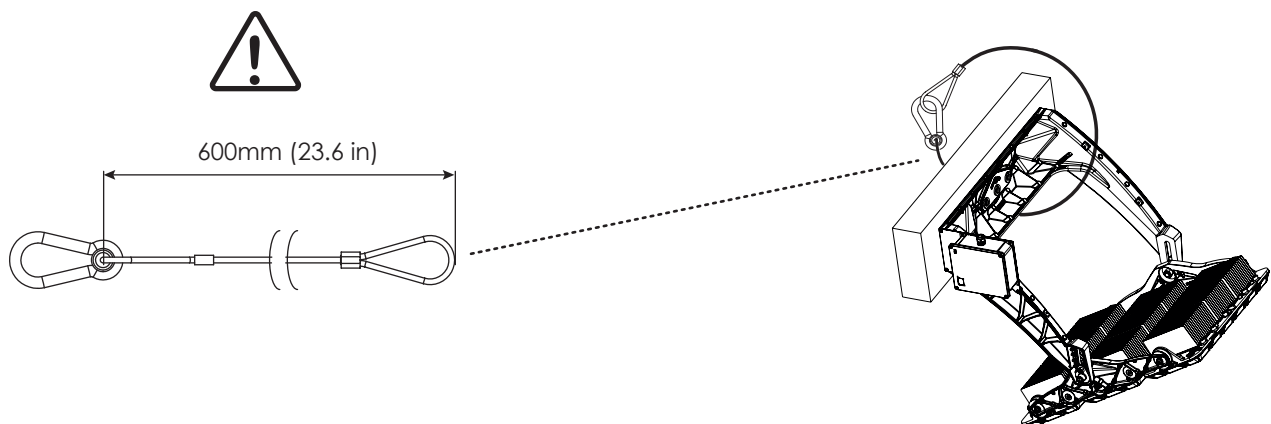
A	data+
B	data-
S	common/shield



E - ANGLE ADJUSTMENT



F - SAFETY CABLE



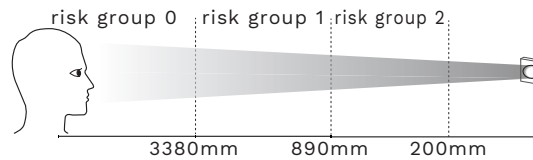


Table with 4 columns: Language, Safety Instructions, and technical details. Rows include: ENG (SAFETY INSTRUCTIONS), ITA (ISTRUZIONI DI SICUREZZA), NLD (VEILIGHEIDSIINSTRUCTIES), DAN (SIKKERHEDSINSTRUKTIONER), DEU (SICHERHEITSHINWEISE), POL (INSTRUKCJA BEZPIECZEŃSTWA), RUS (инструкция безопасности), RON (INSTRUCȚIUNI DE EXPLOATARE), FRA (INSTRUCTIONS DE SECURITE), SPA (INSTRUCCIONES DE SEGURIDAD), POR (INSTRUÇÕES DE SEGURANÇA), SWE (SÄKERHETSINSTRUKTIONER), HUN (BIZTONSÁGI ÚTMUTATÓ), CHI (安全守则), UKR (інструкція безпеки), SRP (UPUTSTVA), and AR (تعليمات السلامة).