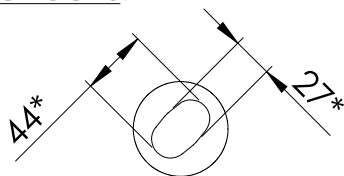
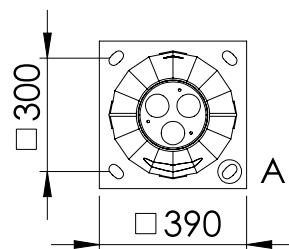


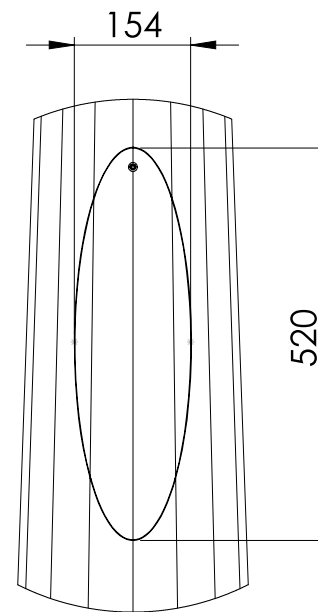
* For anchor bolts:
20/18x400



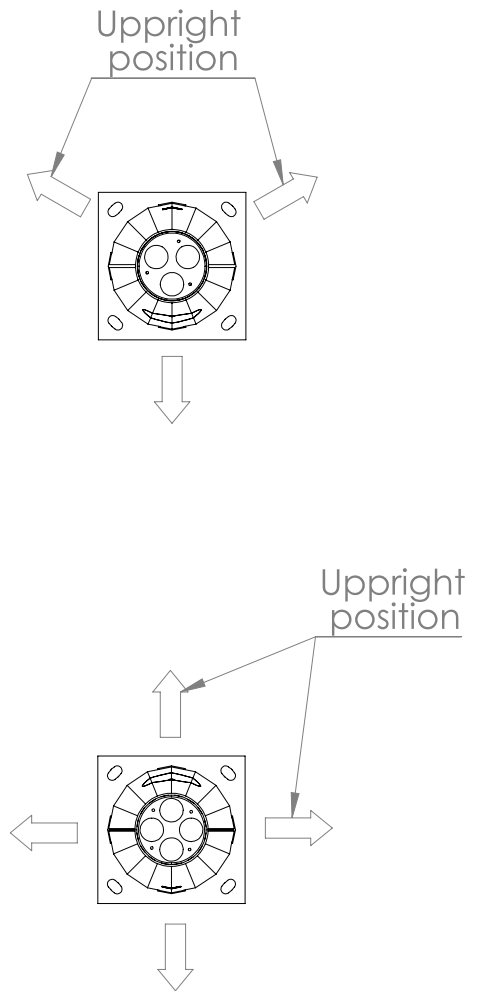
DETAIL A



A



DETAIL B



Specifications and measurements are of an indicative nature and subject to change without notice

THYLIA Maxi [EAR] 3 & 4 uprights

Schröder
Experts in lightability™

Scale:1:20

Material: Steel
galvanised

Date: 29-06-2021

Weight:95Kg

© Schröder SA (Rue de Lusambo 67, 1190 Brussels, Belgium).
This document, its content and all related intellectual property rights, notably on the drawings and design, are owned by and remains the property of Schröder SA. In no case, it can be used for unauthorized purposes. It can not be reproduced or communicated to third parties without Schröder's express and written agreement. Infringement gives rights to damages.