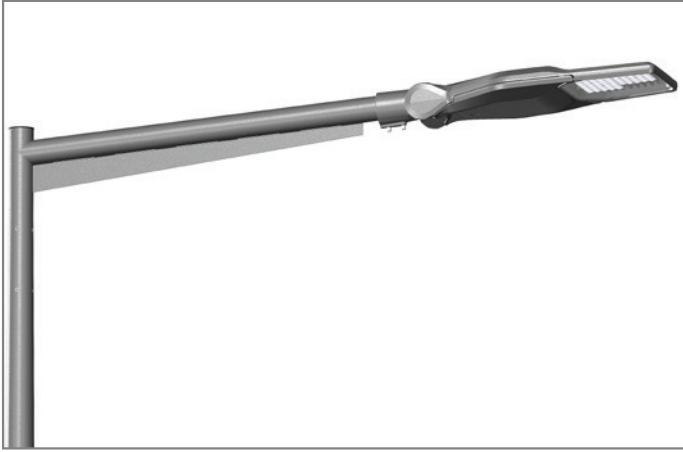


STADIO



The attractive design of the STADIO bracket fits perfectly into a wide range of environments. The range is recognisable by its dynamic lower veil, which provides the perfect combination with modern Schröder luminaires.

The STADIO bracket is available in several variants for single, double, side or wall mounting. It is made of galvanised steel and can be ordered in all standard Schröder colours.

Certified for the loads defined in the EN40 standard, the STADIO range can be installed on poles for CE marking.

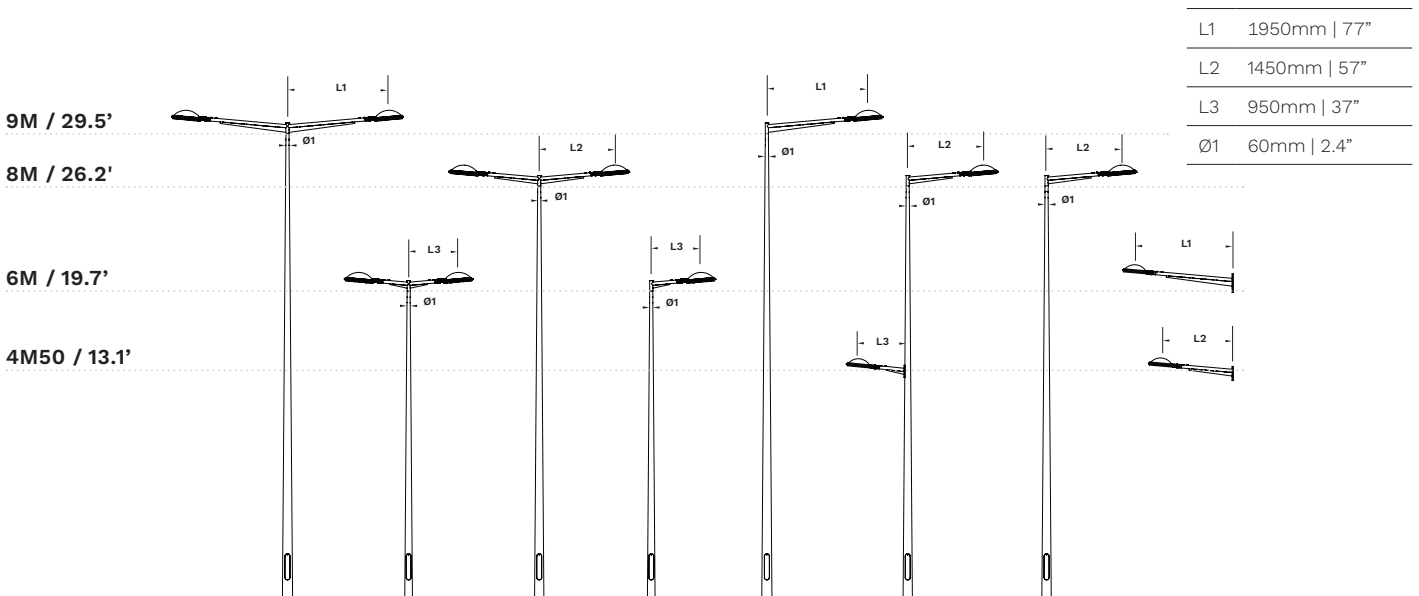
Technical information

GENERAL

Housing	Galvanised steel
Finish	Polyester powder-coating
Colour	AKZO 900 grey sanded Any RAL or AKZO colour upon request

Pull wire included	Yes, for post-top versions
Seaside coating	Available upon request

DIMENSIONS



PRODUCT VARIANTS

Type	Length (mm)	Reference	To pole			Wall	To luminaire		
			Diameter	Tube penetrating (male)	Lateral on pole min. diameter		Diameter	Enclosing (female)	Penetrating (male)
STADIO top single	500	SDF001P	Ø60	X	-	-	Ø60	X	X
STADIO top single	1000	SDF002P	Ø60	X	-	-	Ø60	X	X
STADIO top single	1500	SDF003P	Ø60	X	-	-	Ø60	X	X
STADIO top double	500	SDF101P	Ø60	X	-	-	Ø60	X	X
STADIO top double	1000	SDF102P	Ø60	X	-	-	Ø60	X	X
STADIO top double	1500	SDF103P	Ø60	X	-	-	Ø60	X	X
STADIO lateral & wall	500	SDF201P	-	-	Ø70	-	Ø60	X	X
STADIO lateral & wall	1000	SDF202P	-	-	Ø70	-	Ø60	X	X
STADIO lateral & wall	1500	SDF203P	-	-	Ø70	-	Ø60	X	X

Note: this Information is to be combined with the specific technical drawing.

LUMINAIRE COMPATIBILITY

Family	Type	Length (mm)	AMPERA		AVENTO	AXIA 2 AXIA 3	CITEA NG2		FLEXIA			HESTIA LED	IZYLUM	PIANO	TECEO	YMERA	YOA						
			Universal 48-60mm	Universal 60mm penetrating	Lateral entry 48-60	Lateral entry 42-60mm	Lateral entry 60mm enclosing	Lateral entry 60mm penetrating	Rotule Ø60mm penetrating	Rotule Ø60mm enclosing	Lateral entry enclosing	Lateral entry penetrating	Knuckle joint Ø60mm enclosing	Knuckle joint Ø60mm penetrating	Lateral entry enclosing	Universal 48-60mm	Lateral entry penetrating	Lateral entry 48-60mm	Lateral entry 48-60mm	Universal 60mm penetrating	Lateral entry 60mm	Lateral entry 60mm penetrating	Lateral entry 60mm
STADIO	Top single	500 - 1000 - 1500	X	X	X	X	X	X	X	X	X	X	O	X	X	X	X	X	X	X	X	X	X
STADIO	Top double	500 - 1000 - 1500	X	X	X	X	X	X	X	X	X	X	O	X	X	X	X	X	X	X	X	X	X
STADIO	Lateral	500 - 1000 - 1500	X	X	X	X	X	X	X	X	X	X	O	X	X	X	X	X	X	X	X	X	X

x = available as standard / o = option

INFORMATION FOR EN40 CALCULATION

Name	Reference	Type	Length (mm)	Centre of pressure on X (mm)	Centre of pressure on Z (mm)	Endpoint bracket on X (mounting point - mm)	Endpoint bracket on Z (mounting point - mm)	CxS (m ²)	Weight (kg)
STADIO	SDF001P	Top single	500	130	77	500	187	0.071	4.6
STADIO	SDF002P	Top single	1000	407	155	1000	230	0.12	7.5
STADIO	SDF003P	Top single	1500	630	171	1500	270	0.21	11
STADIO	SDF101P	Top double	500	0	103	500	187	0.14	6.7
STADIO	SDF102P	Top double	1000	0	158	1000	230	0.22	12.5
STADIO	SDF103P	Top double	1500	0	174	1500	270	0.4	19
STADIO	SDF201P	Lateral	500	186	141	500	187	0.07	4
STADIO	SDF202P	Lateral	1000	407	158	1000	230	0.11	6.5
STADIO	SDF203P	Lateral	1500	630	174	1500	270	0.2	10

