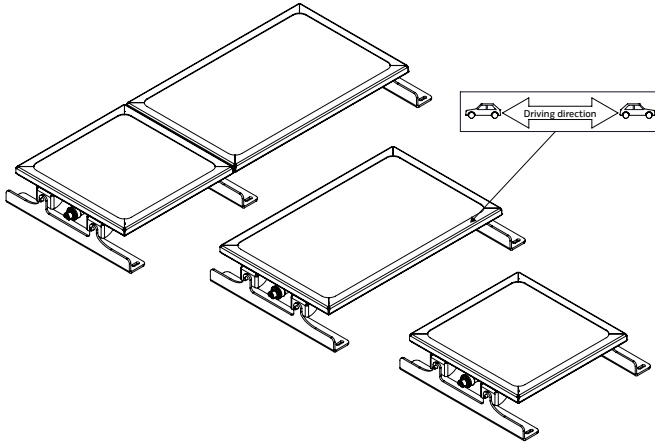


Schröder

TFLEX MODULE

STAINLESS STEEL

40-60-100

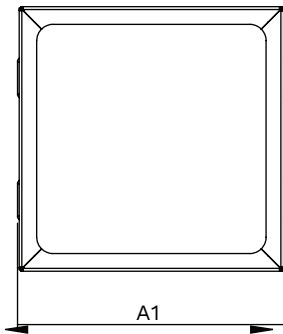


ENG	INSTALLATION INSTRUCTIONS	ITA	ISTRUZIONI DI INSTALLAZIONE	NLD	INSTALLATIE INSTRUCTIES	DAN	INSTALLATIONSVEJLEDNING	HUN	TELEPÍTÉSI ÚTMUTATÓ
DEU	INSTALLATIONSANLEITUNG	POL	INSTRUKCJE MONTAŻU	RUS	Инструкции по установке	RON	INSTRUCȚIUNI DE INSTALARE	CHI	安装说明
FRA	INSTRUCTIONS DE MONTAGE	SPA	INSTRUCCIONES DE INSTALACIÓN	POR	INSTRUÇÕES DE INSTALAÇÃO	SWE	INSTALLATIONSANVISNING	UKR	Інструкції з монтажу
SRP	UPUTSTVA ZA INSTALACIJU	ARA	تعليمات التركيب						

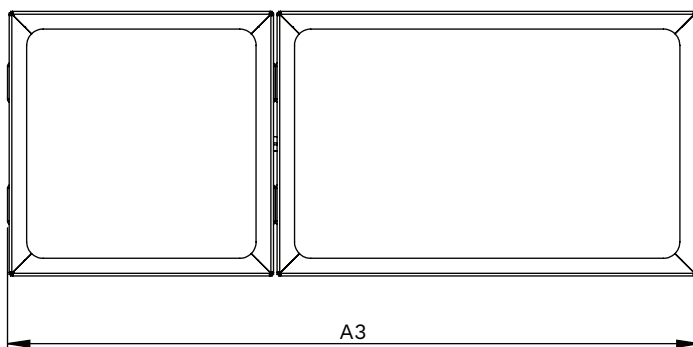
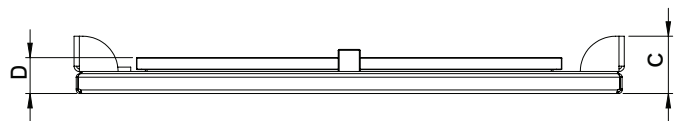
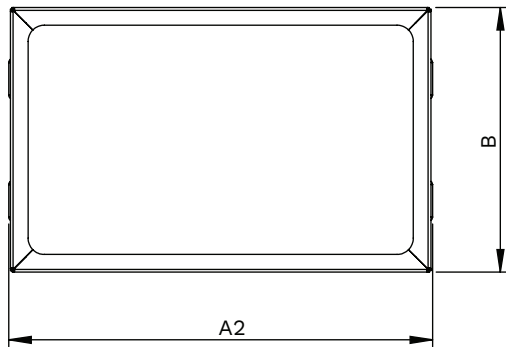
02 3 - 7 m 220-240 V 50/60Hz

A

Led colour code	740
Light source energy efficiency class - High power	C



	MODULE 40	MODULE 60	MODULE 100
Plate HS	12.2 kg 26 lb	16.2 kg 37 lb	26.8 kg 59 lb

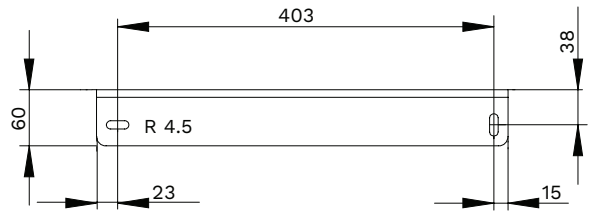
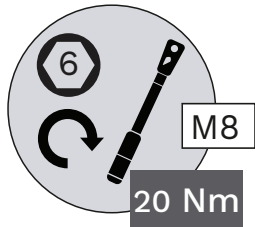
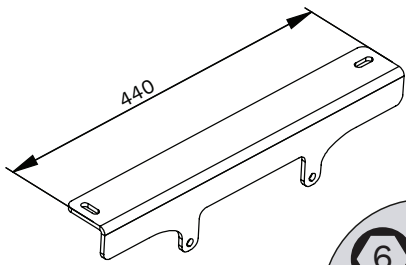


A1	395 mm 15.5 in
A2	625 mm 24.6 in
A3	1020 mm 40.1 in
B	390 mm 15.3 in
C	65 mm 2.5 in
D	41 mm 1.6 in

B

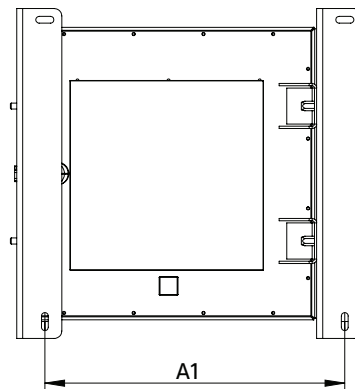
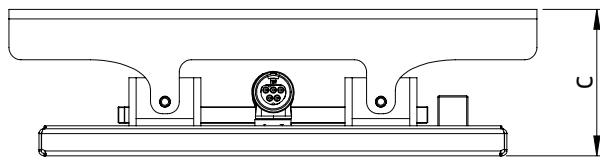
FIXED BRACKETS Ansi 3G

1



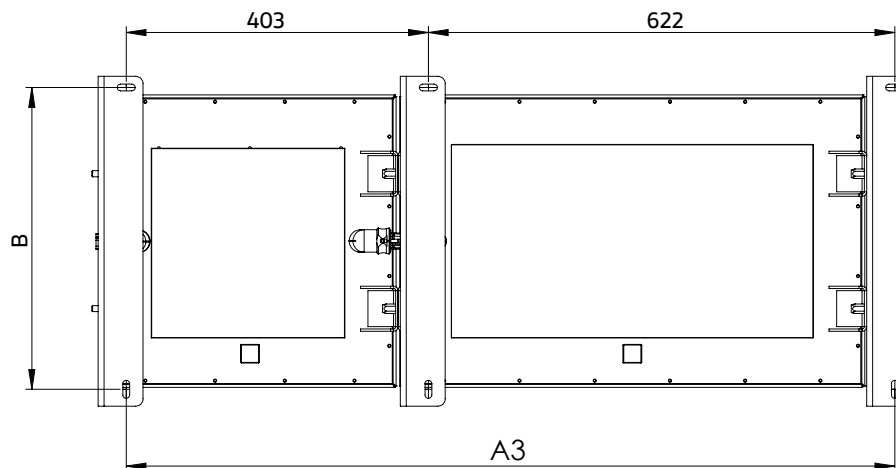
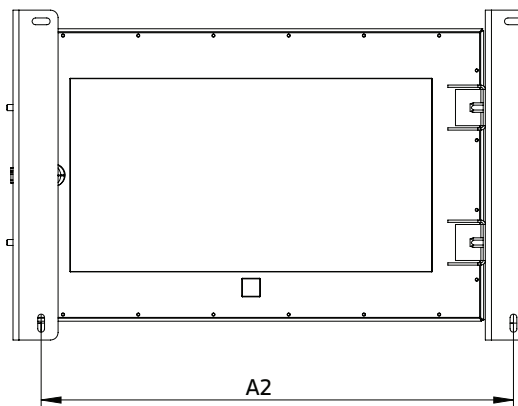
*Fixed brackets are 3G vibration compliant and available for all luminaire sizes.
 **Fixation available with 3mm or 5mm thickness bracket.

2



A1	400 mm 22.8 in
A2	630 mm 24.8 in
A3	1025 mm 40.3 in

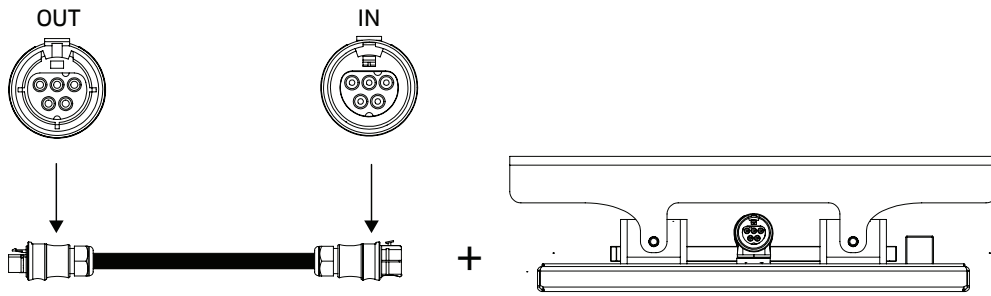
B	403 mm 15.8 in	C	122 mm 4.8 in
---	-------------------	---	------------------



Copyright © Schreder S.A. 2023 - Executive Publisher: Stéphane Halleux - B-4000 Liège, Rue de Mons 3 (Belgium) - The information, descriptions and illustrations herein are only of an indicative nature and subject to changes without notice.



REMOTE MOUNTING



5P CONNECTOR	
CONNECTOR PIN#	
1	Circuit 1
2	
3	Circuit 2
4	
5	Earth

