

# Schröder

## FLEXIA DP

## FLEXIA POEME

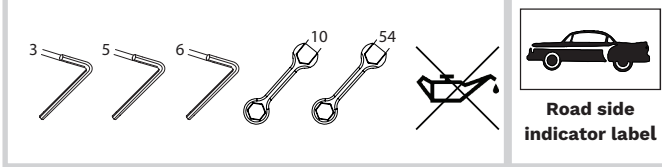
### Midi

### Side-Entry with swivel

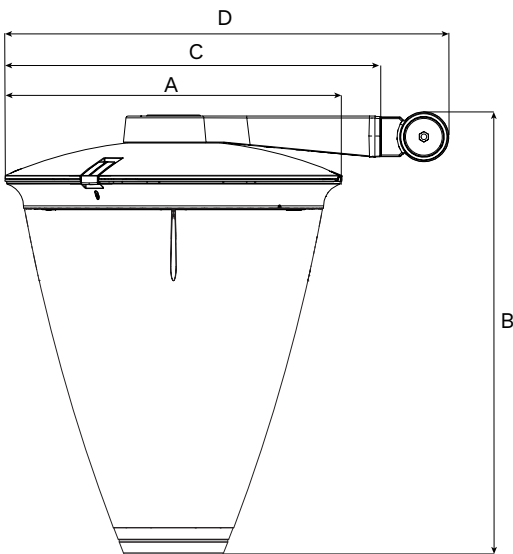
ENG	INSTALLATION INSTRUCTIONS	ITA	ISTRUZIONI DI INSTALLAZIONE	NLD	INSTALLATIE INSTRUCTIES	DAN	INSTALLATIONSVEJLEDNING	HUN	TELEPÍTÉSI ÚTMUTATÓ
DEU	INSTALLATIONSANLEITUNG	POL	INSTRUKCJE MONTAŻU	RUS	Инструкции по установке	RON	INSTRUCȚIUNI DE INSTALARE	CHI	安装说明
FRA	INSTRUCTIONS DE MONTAGE	SPA	INSTRUCCIONES DE INSTALACIÓN	POR	INSTRUÇÕES DE INSTALAÇÃO	SWE	INSTALLATIONSANVISNING	UKR	Інструкції з монтажу
SRP	UPUTSTVA ZA INSTALACIJU	ARA	تعليمات التركيب						

4 - 12 m
 

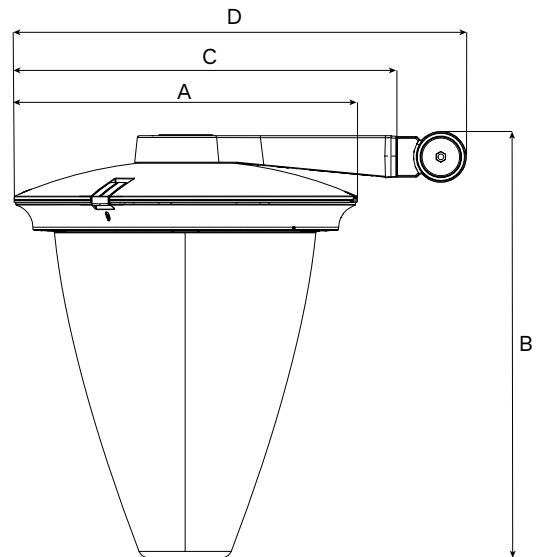
220-240V	IP	IK
120-277V	66	09 10
50-60Hz		DP POEME



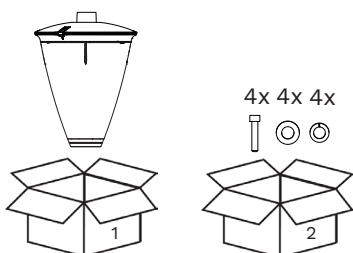
### FLEXIA DP Midi



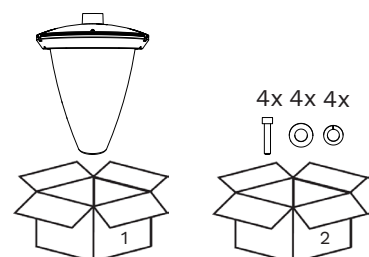
### FLEXIA POEME Midi



A	Ø504	
B	662,5	662
C	578	578
D	682	682
Kg	12,63	11,65
Mass Tolerance (kg)	+/- 0,8	

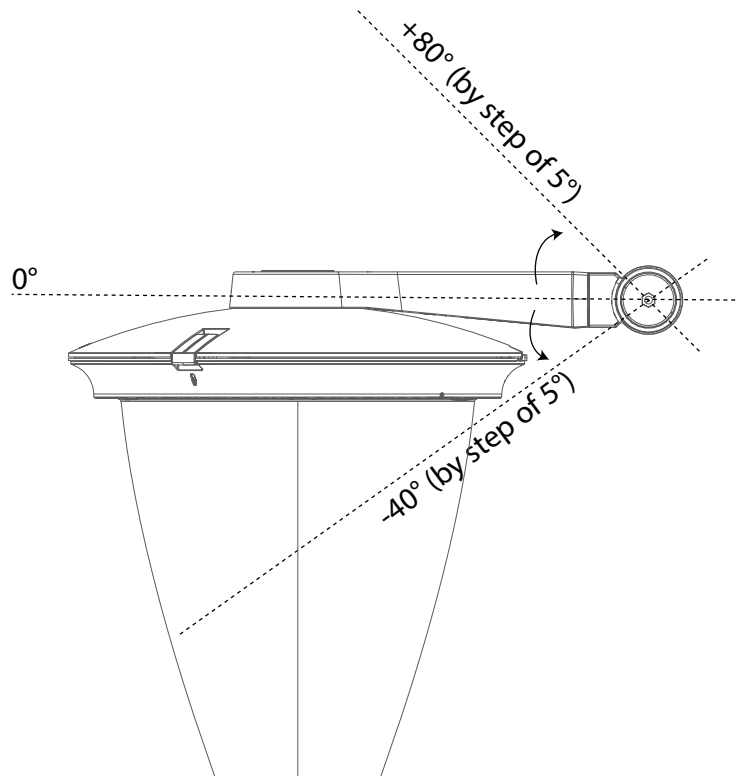


Cd.S	0,098 m <sup>2</sup>
Cs.S	0,040 m <sup>2</sup>
CL.S	0,038 m <sup>2</sup>

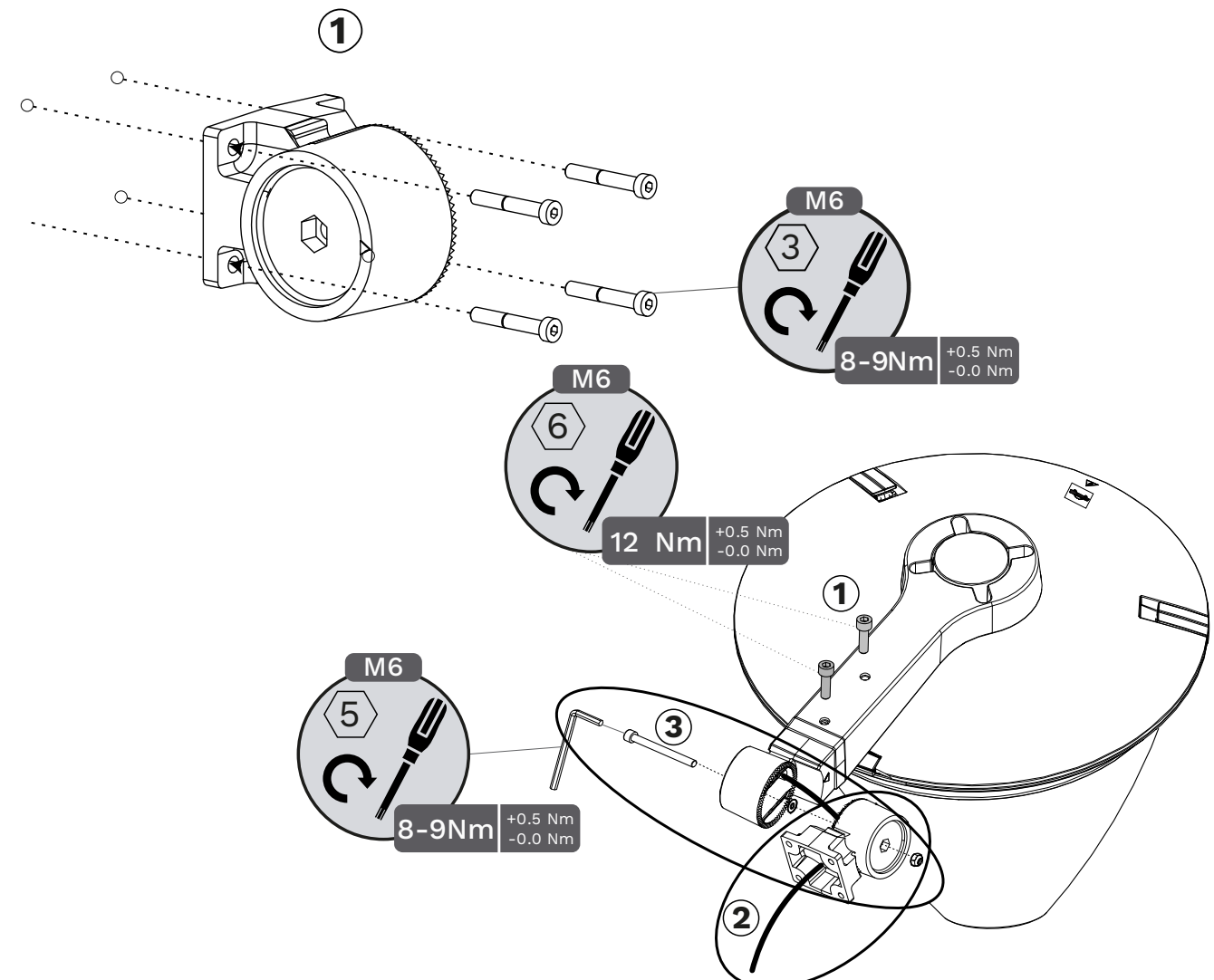




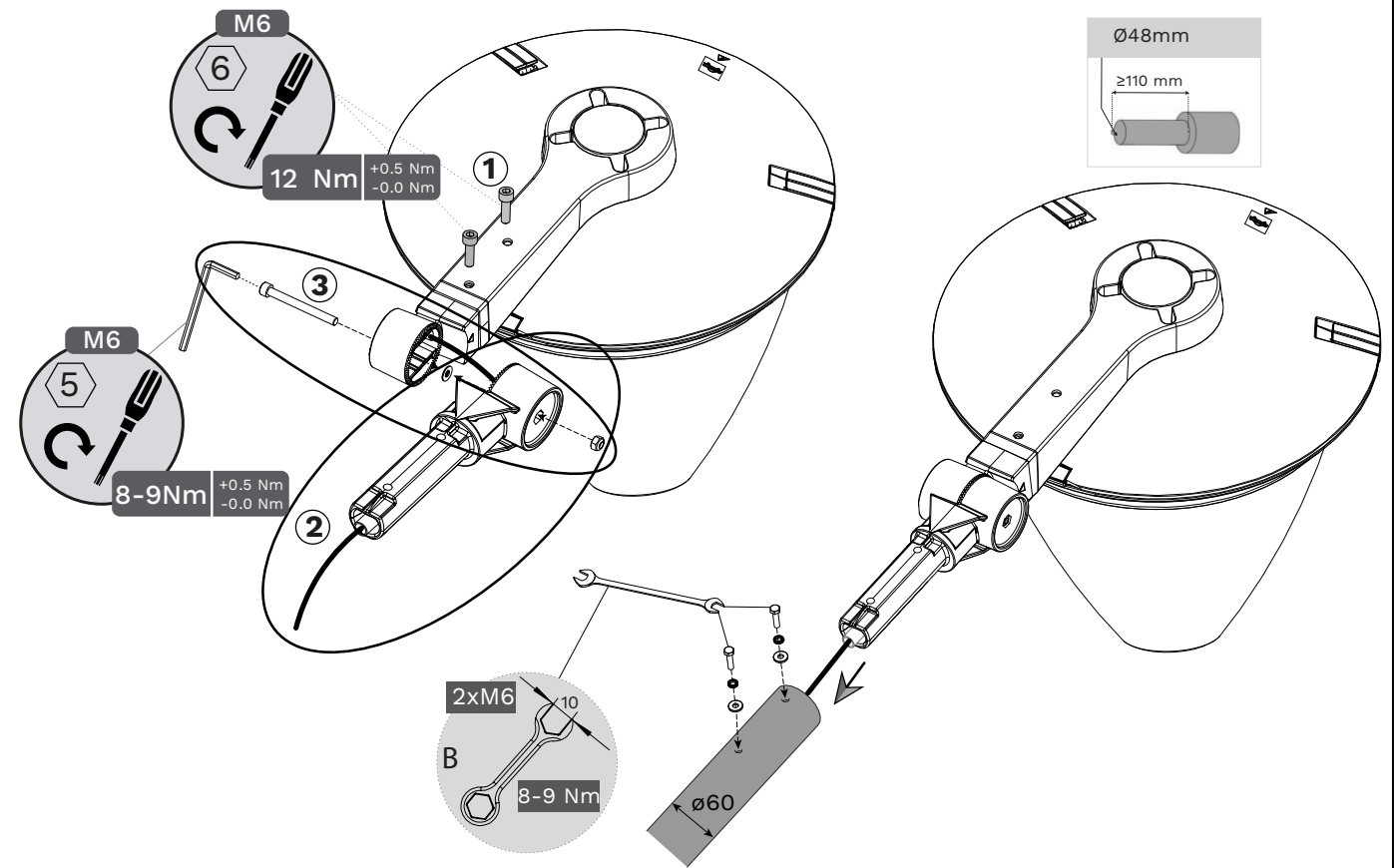
## A. KNUCKLE JOINT ANGLE



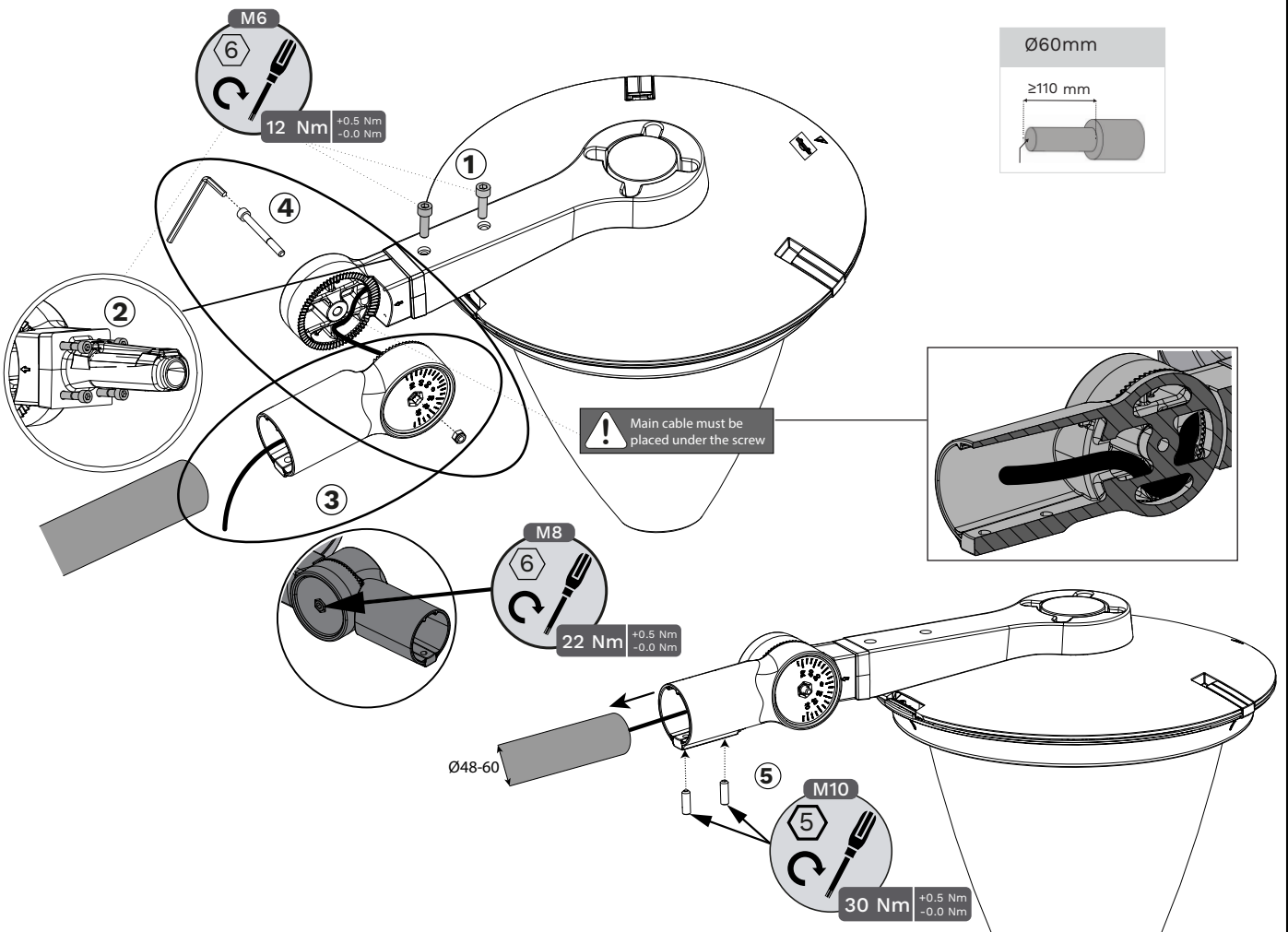
## B. KNUCKLE JOINT SIDE-ENTRY 60X50 SQUARE



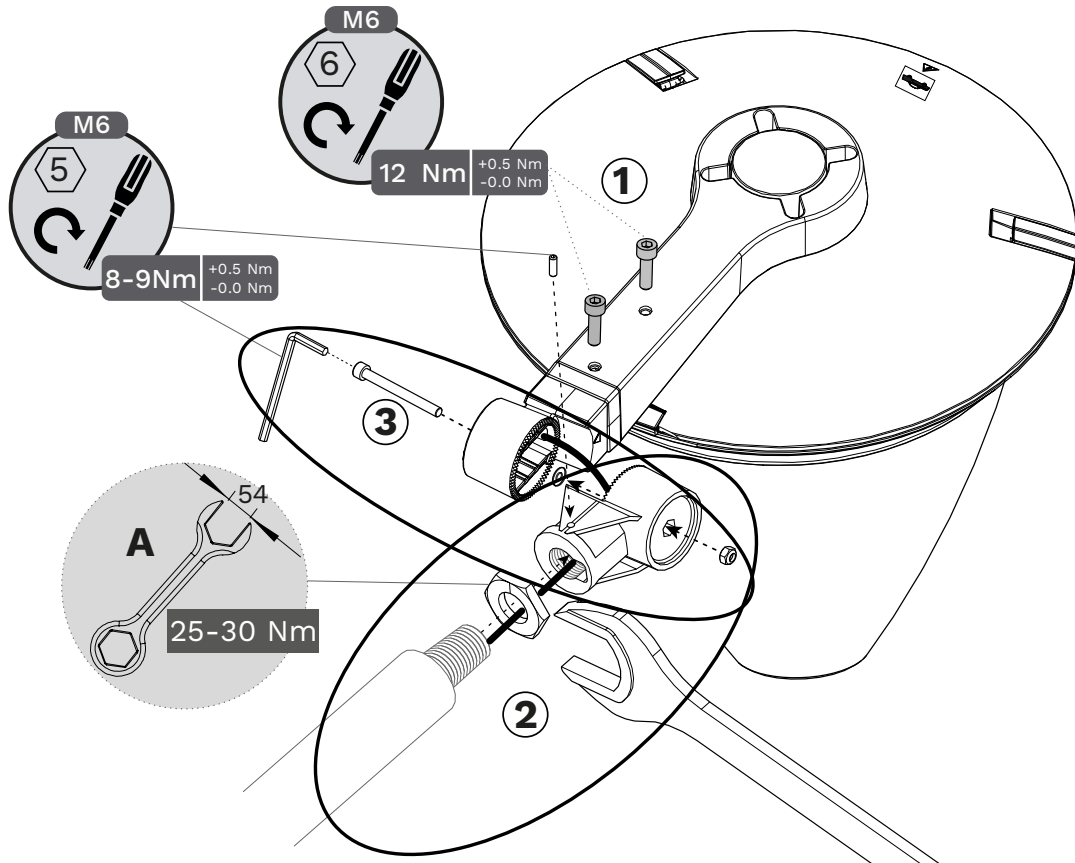
**C. KNUCKLE JOINT SIDE-ENTRY PENETRATING Ø48MM**



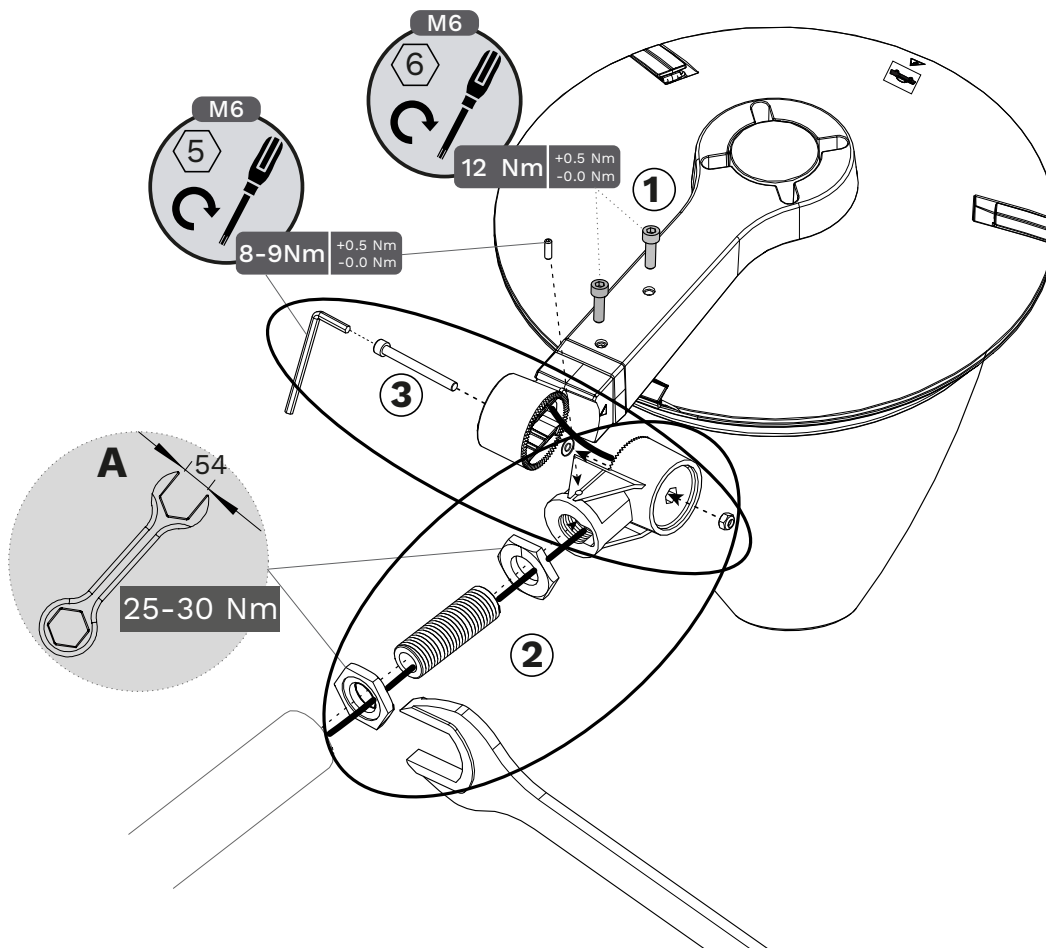
**D. KNUCKLE JOINT SIDE-ENTRY ENCLOSING Ø60MM**



 **E. KNUCKLE JOINT 1" GAS FEMALE SIDE-ENTRY**

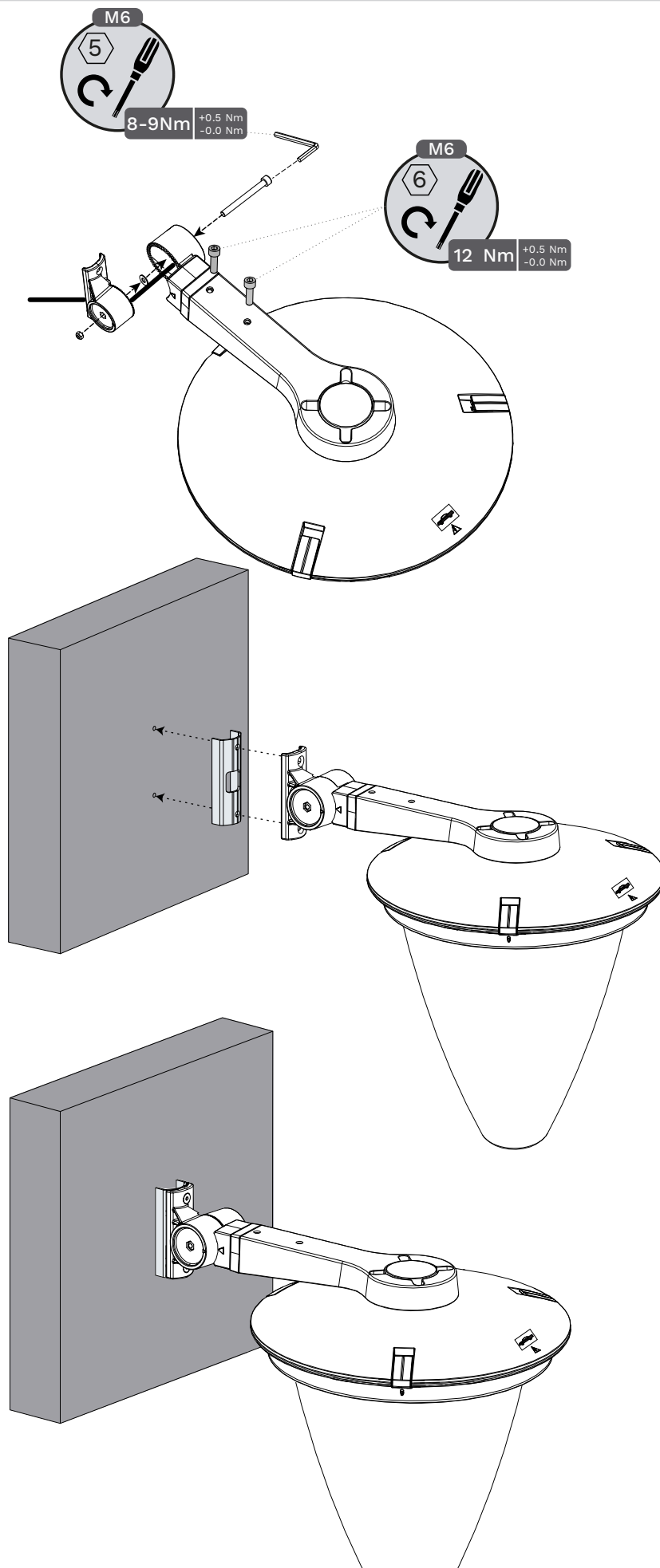


 **F. KNUCKLE JOINT 1" GAS MALE SIDE-ENTRY**



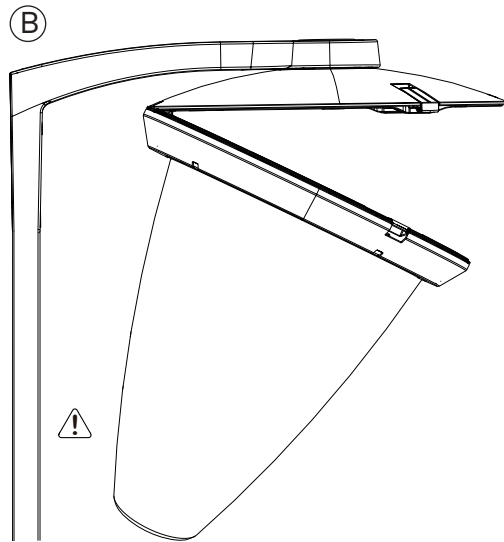
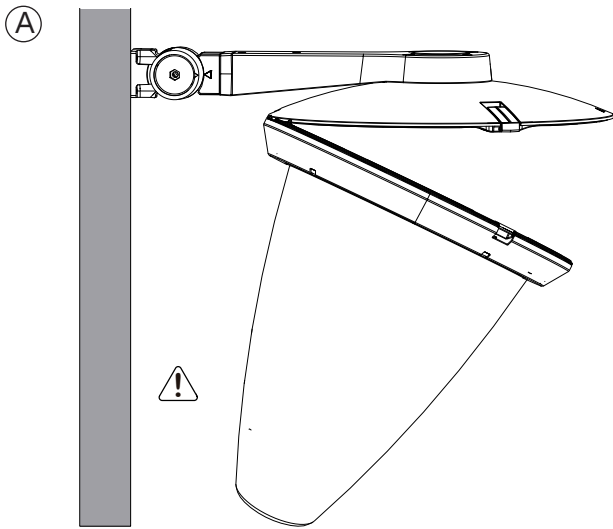


## G. KNUCKLE JOINT SURFACE





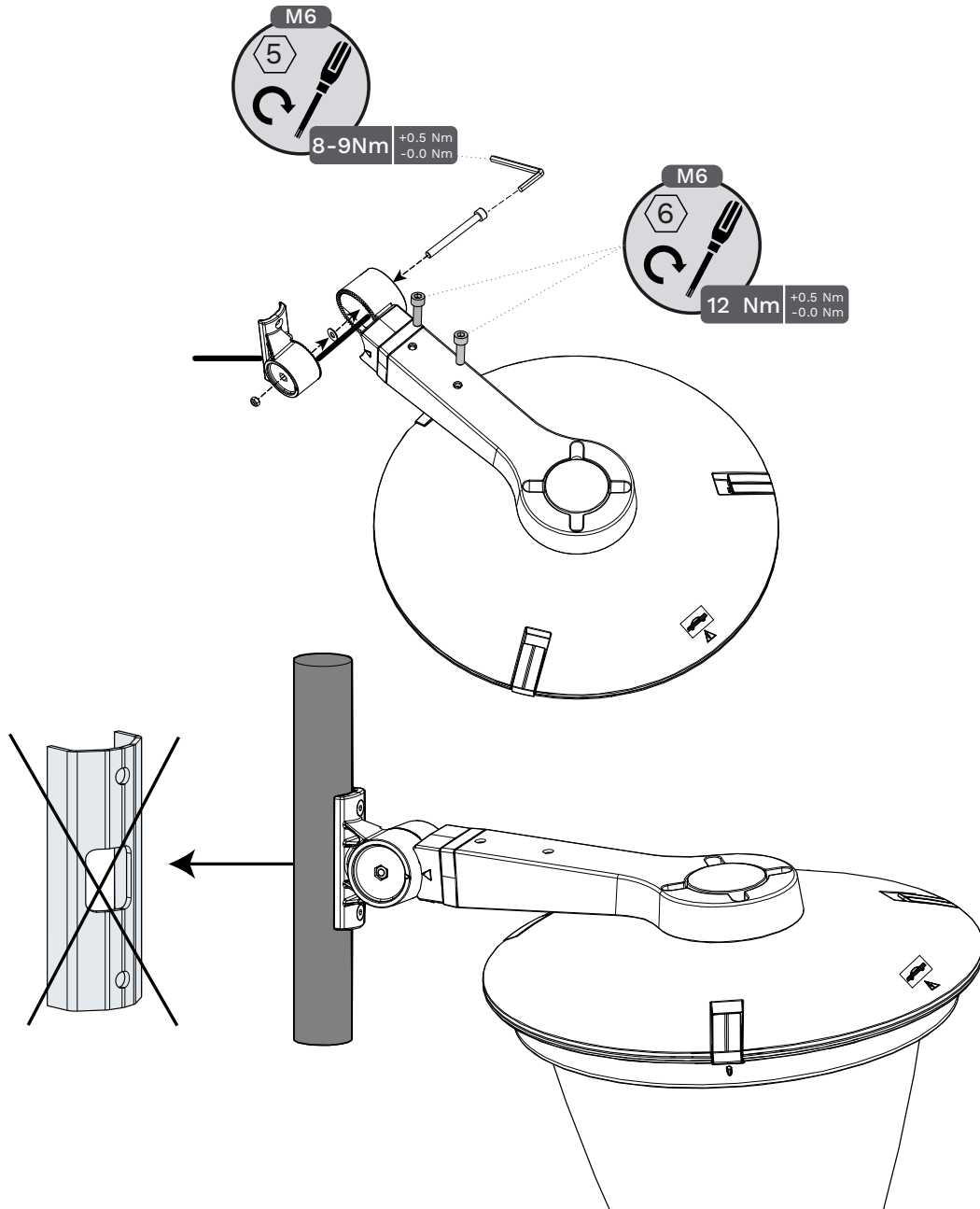
# H. MAXIMUM ANGLE OPENING



A	30°
B	30°



# I. KNUCKLE JOINT REAR BRACKET

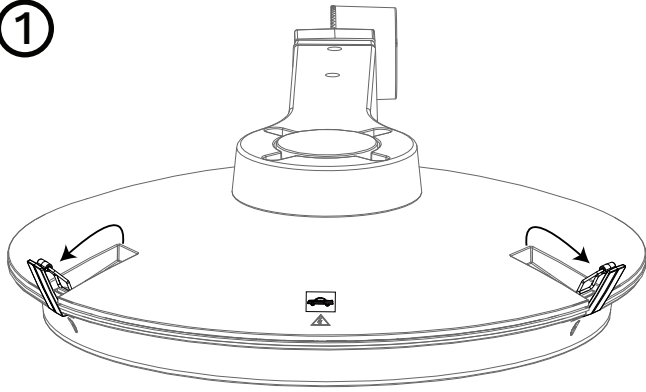




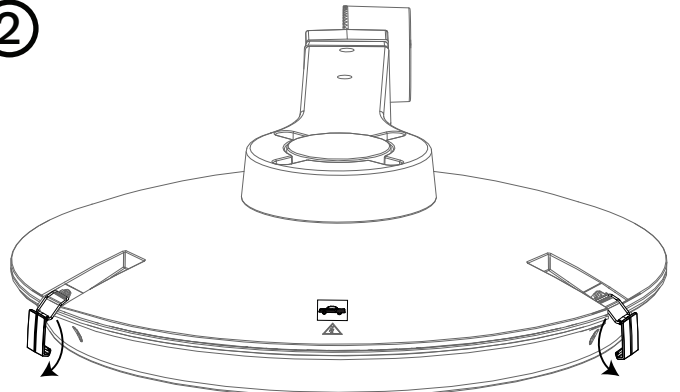


# J. MAINTENANCE CR-KIT EU

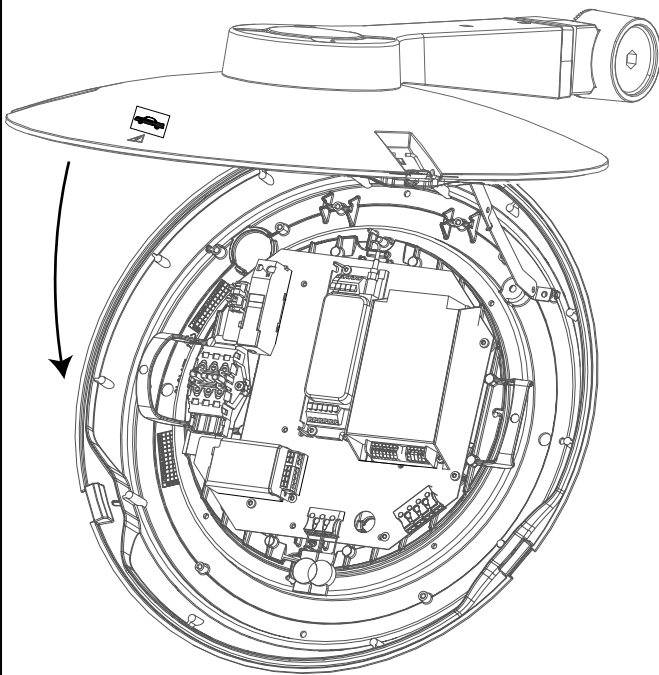
①



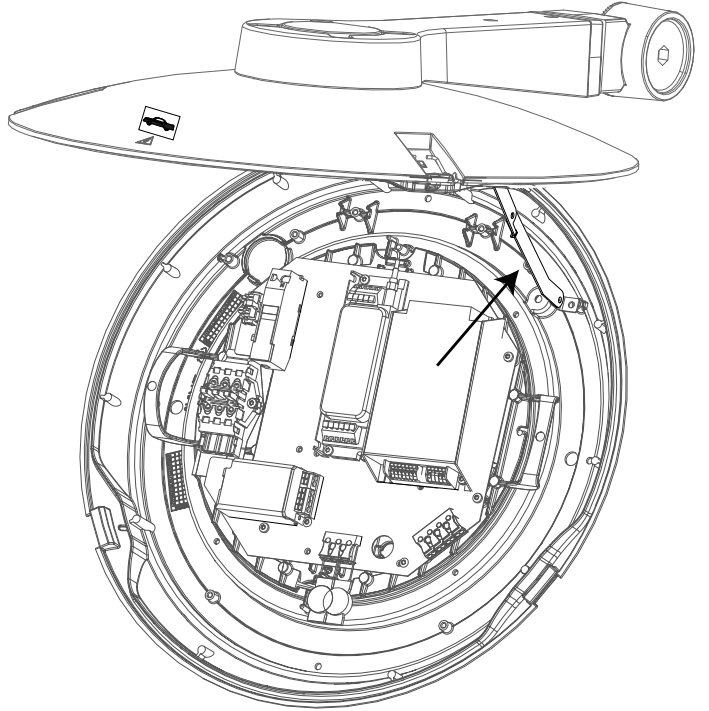
②



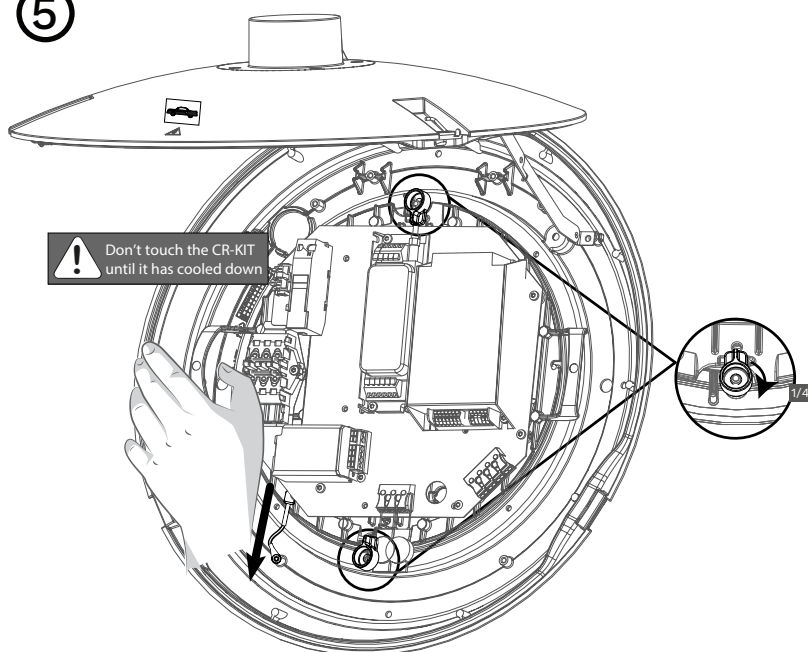
③



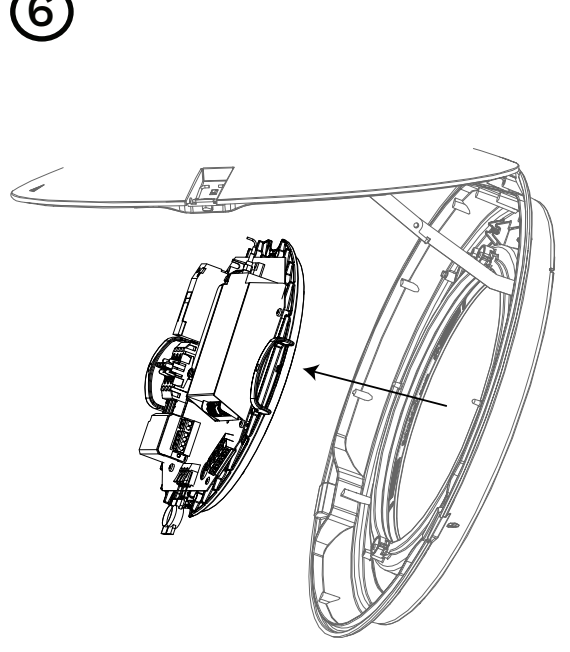
④



⑤



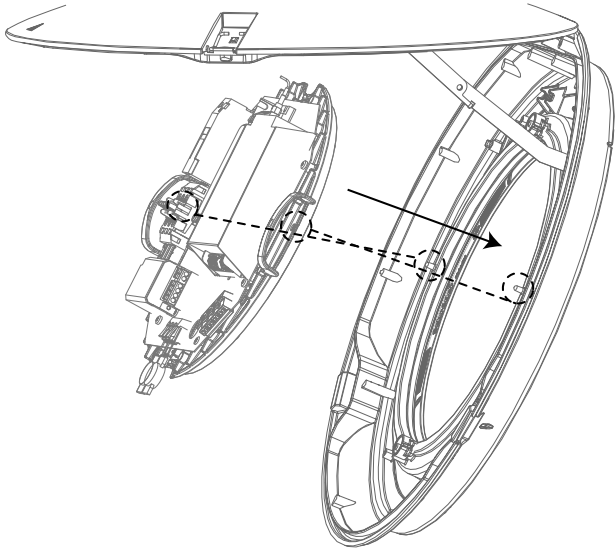
⑥



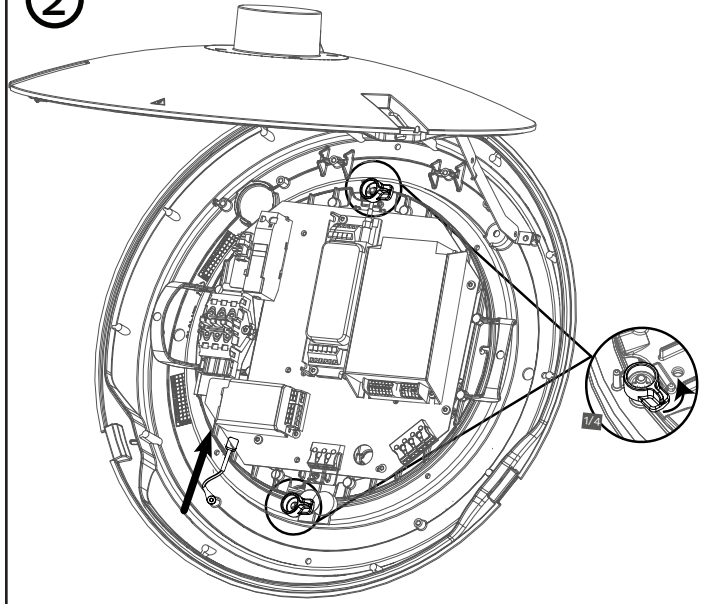


# K. REASSEMBLING

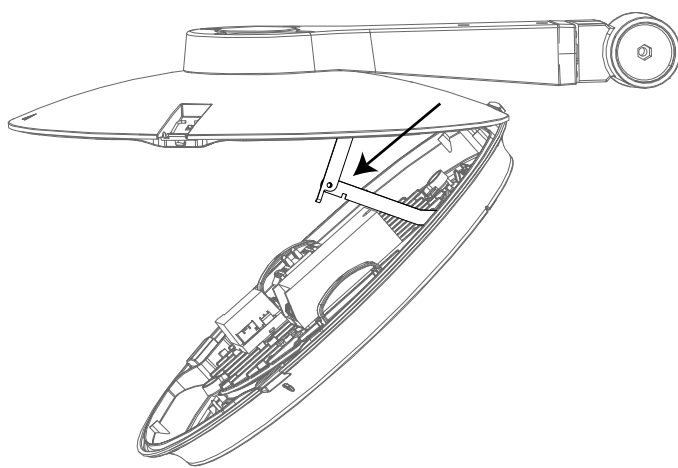
①



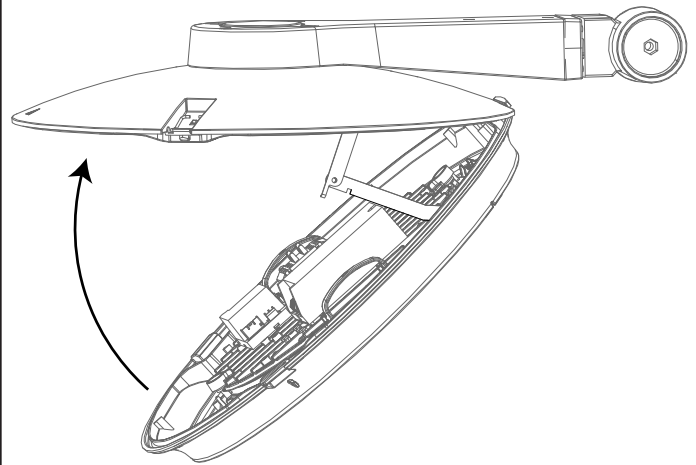
②



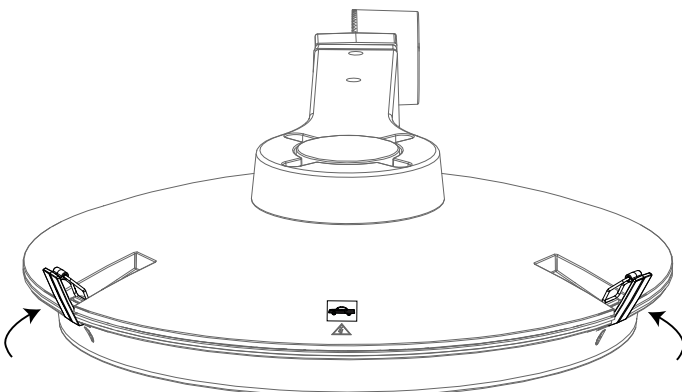
③



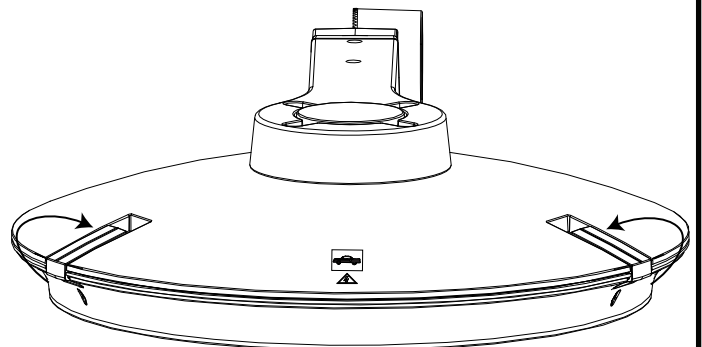
④



⑤



⑥

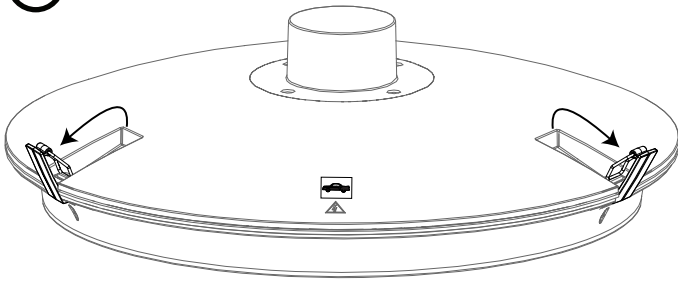




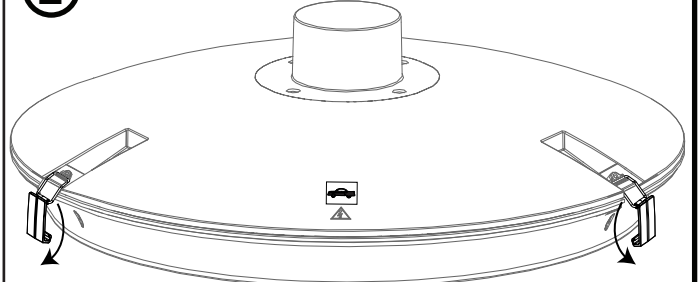


# L. MAINTENANCE CR-KIT CSA/UL

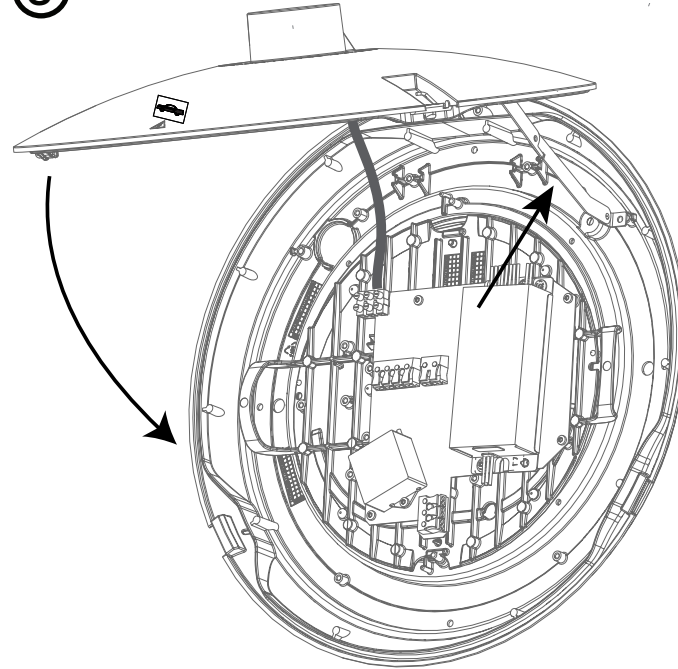
①



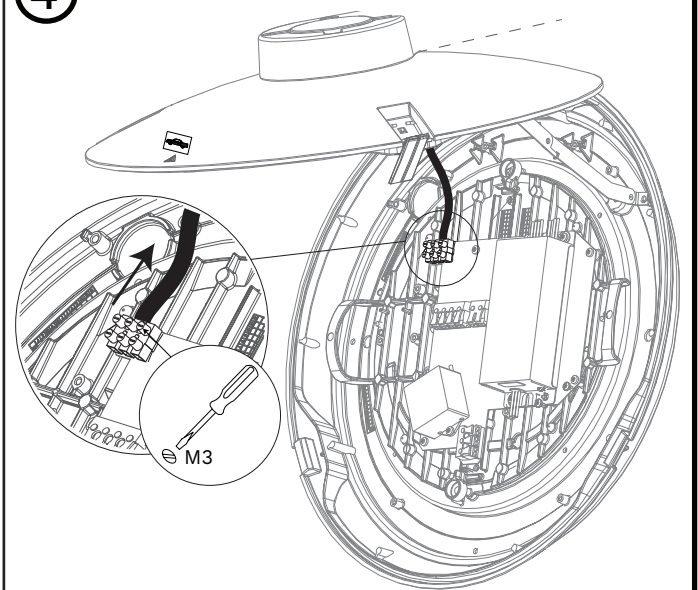
②



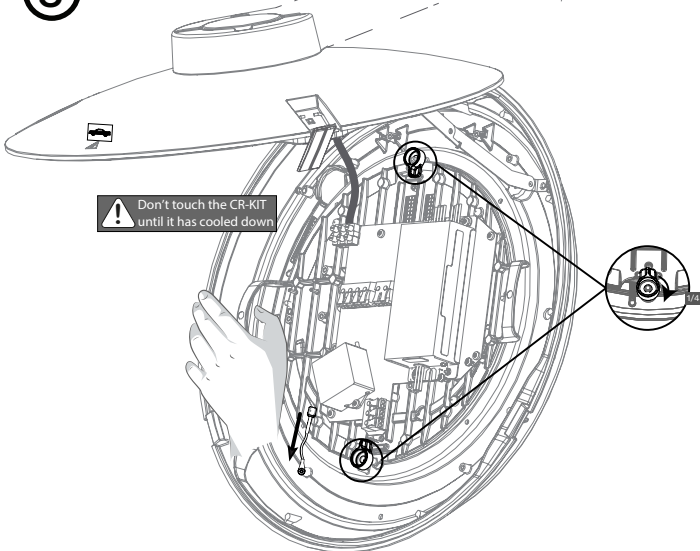
③



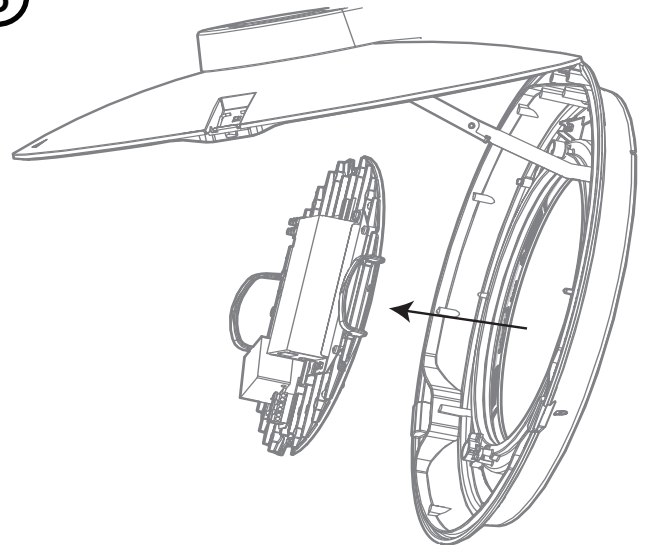
④



⑤



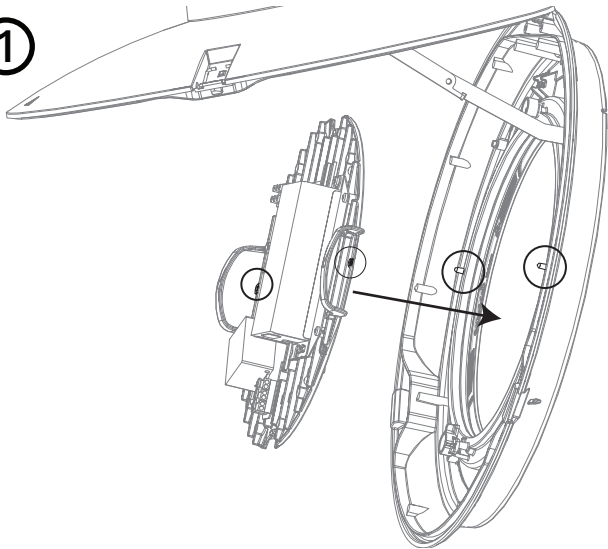
⑥



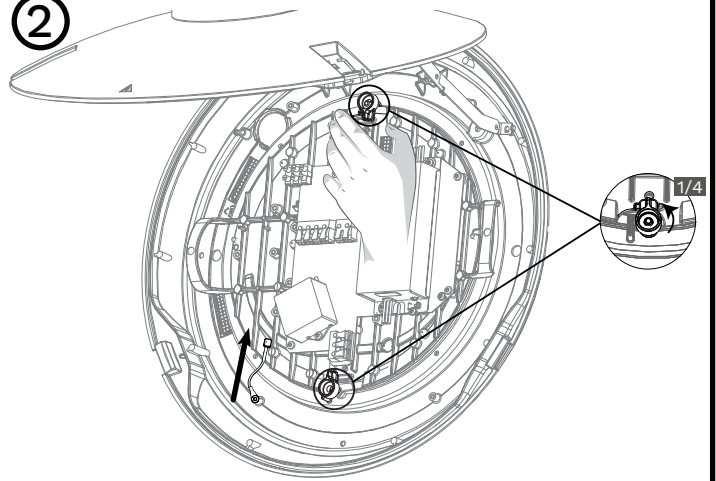


# M. REASSEMBLING

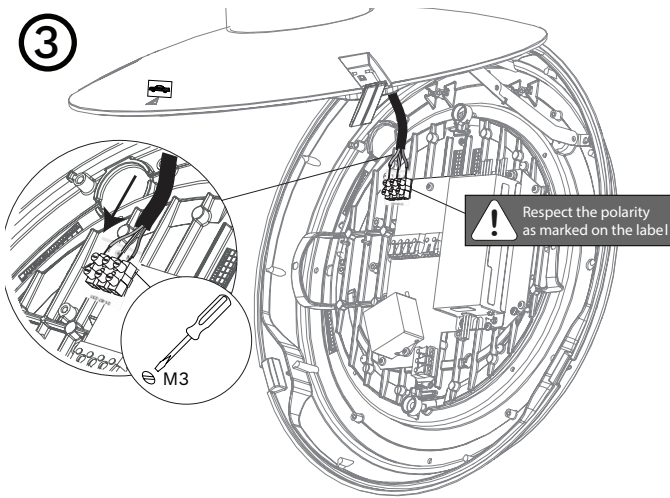
①



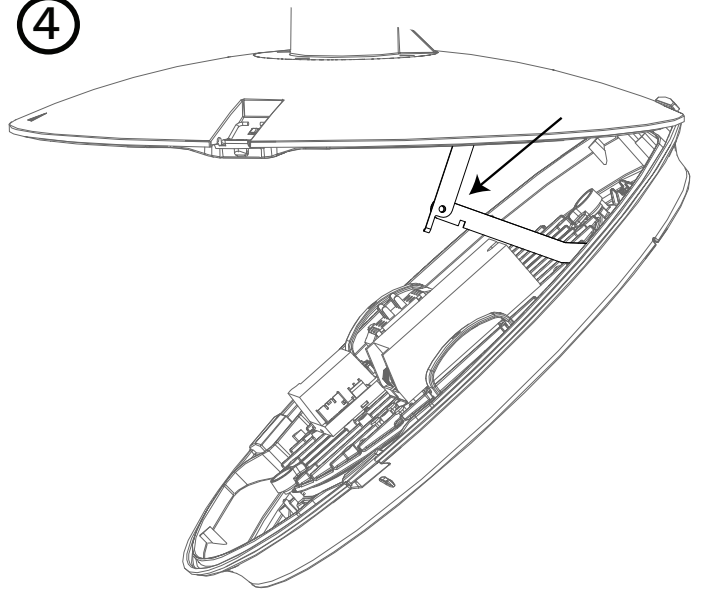
②



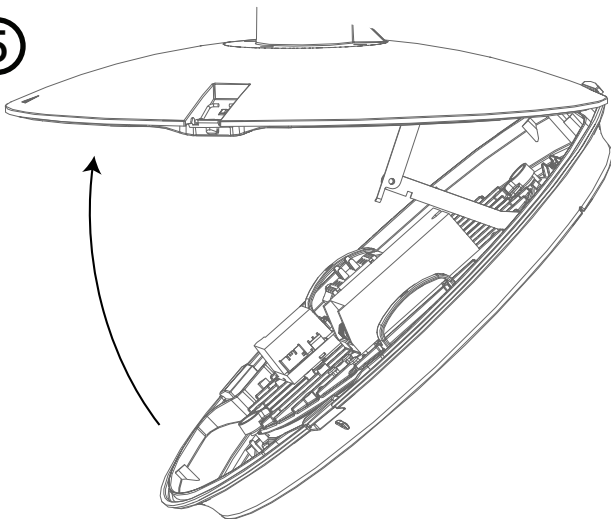
③



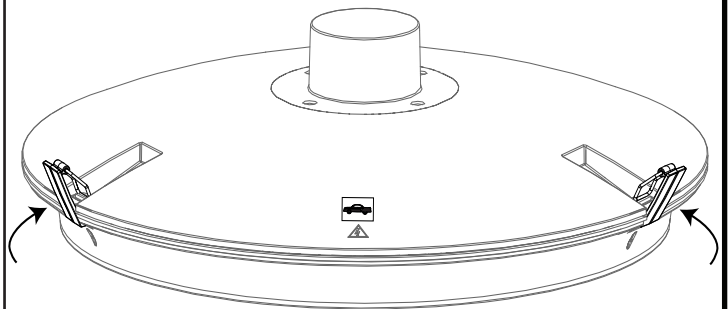
④



⑤



⑥



⑦

