

# Schröder

## FLEXIA DP

## FLEXIA POEME

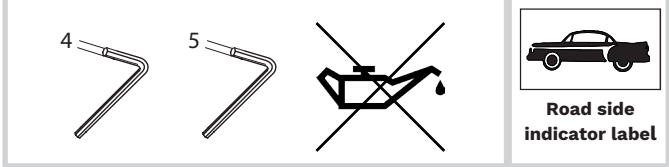
### Midi

Side-entry without swivel

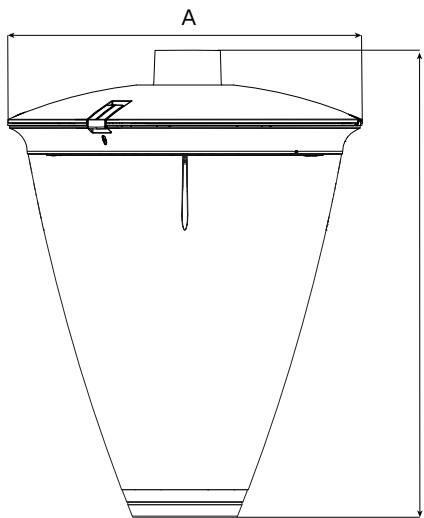
ENG	INSTALLATION INSTRUCTIONS	ITA	ISTRUZIONI DI INSTALLAZIONE	NLD	INSTALLATIE INSTRUCTIES	DAN	INSTALLATIONSVEJLEDNING	HUN	TELEPÍTÉSI ÚTMUTATÓ
DEU	INSTALLATIONSANLEITUNG	POL	INSTRUKCJE MONTAŻU	RUS	Инструкции по установке	RON	INSTRUCȚIUNI DE INSTALARE	CHI	安装说明
FRA	INSTRUCTIONS DE MONTAGE	SPA	INSTRUCCIONES DE INSTALACIÓN	POR	INSTRUÇÕES DE INSTALAÇÃO	SWE	INSTALLATIONSANVISNING	UKR	Інструкції з монтажу
SRP	UPUTSTVA ZA INSTALACIJU	ARA	تعليمات التركيب						

4 - 12 m
 

220-240V	IP	IK
120-277V	66	09/10
50-60Hz		DP POEME

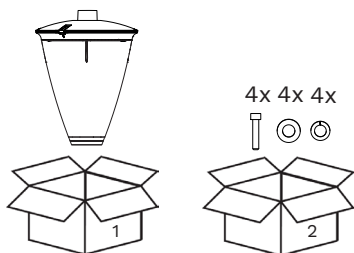


### FLEXIA DP Midi

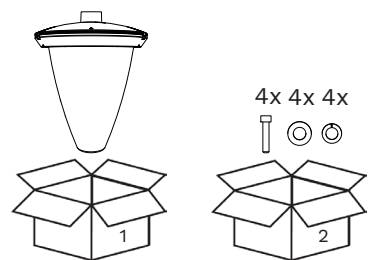
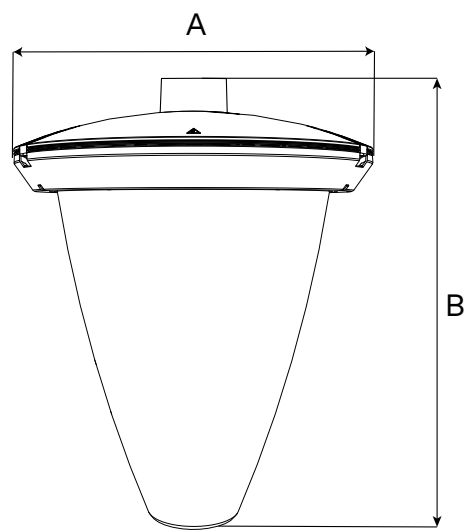


A	Ø504	
B	662,5	662
Kg	12,63	11,65
Mass Tolerance (kg)	+/- 0,8	+/- 0,8

Cd.S	0,098 m <sup>2</sup>
Cs.S	0,040 m <sup>2</sup>
CL.S	0,038 m <sup>2</sup>

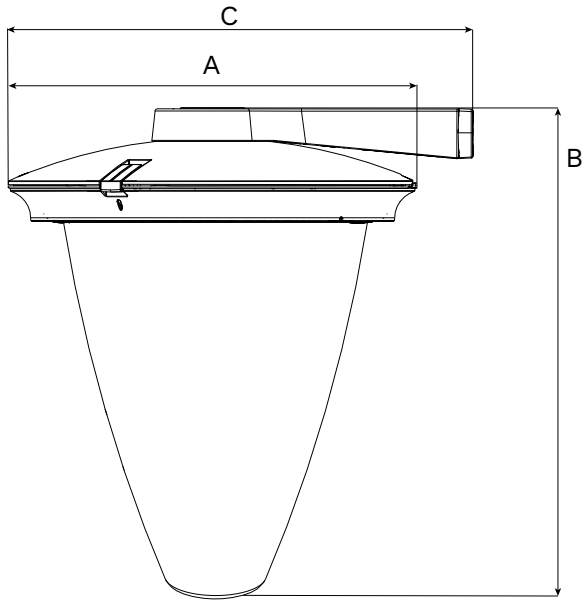


### FLEXIA POEME Midi

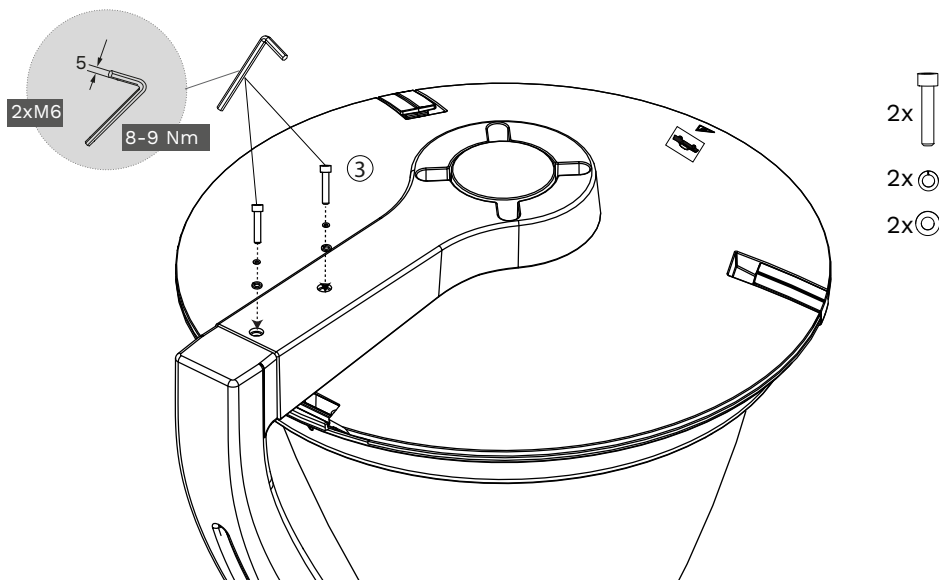
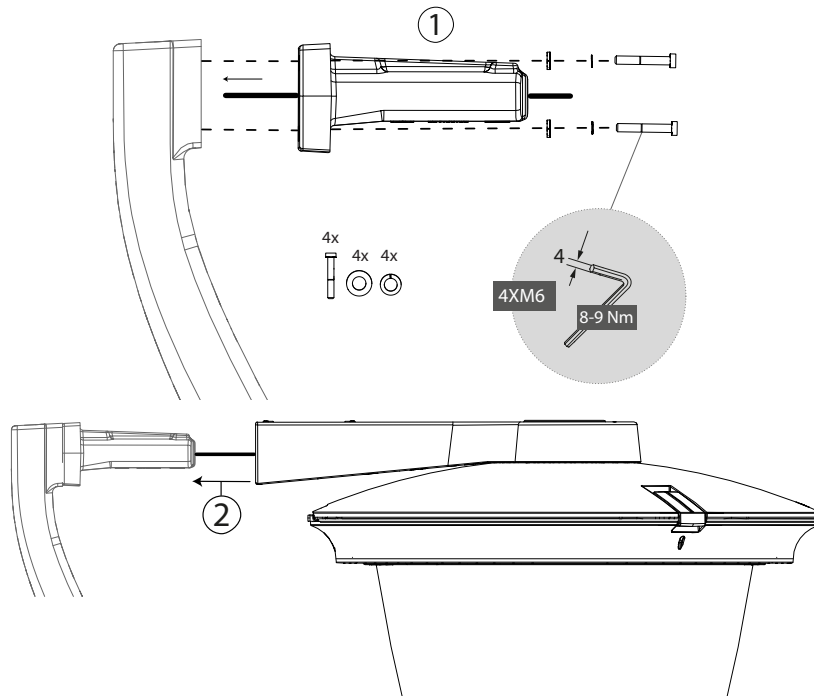
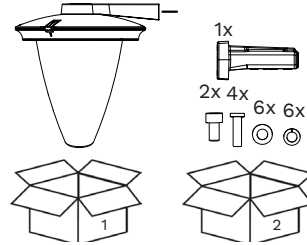




# A. SIDE-ENTRY 40X40 SQUARE DIRECT

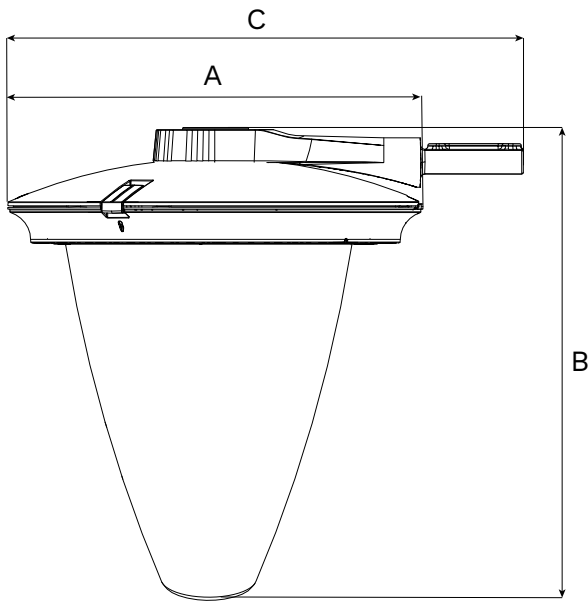


A	Ø504
B	662
C	578

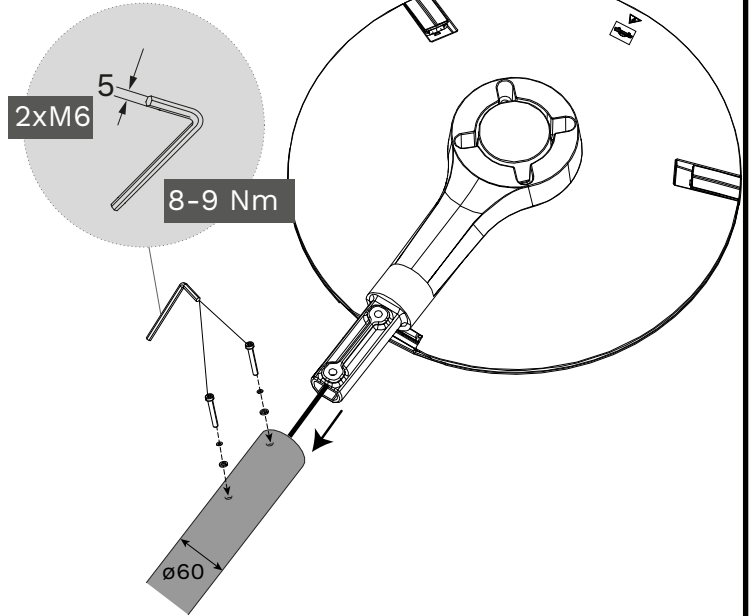
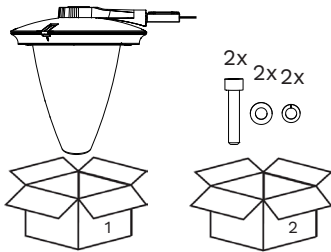
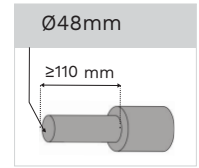




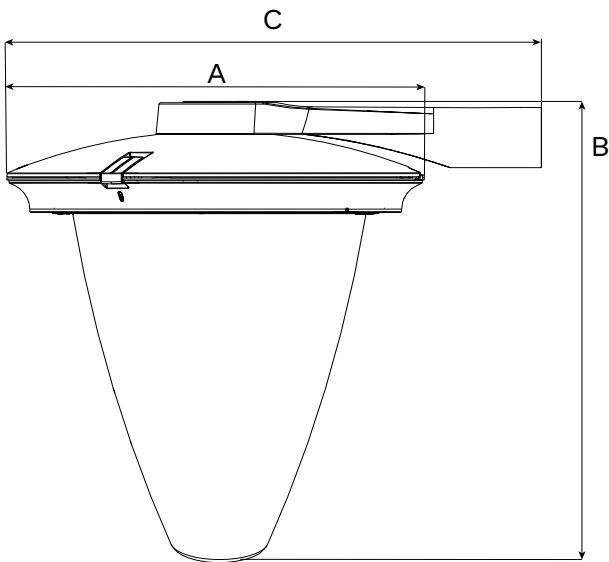
## B. SIDE-ENTRY PENETRATING Ø48MM



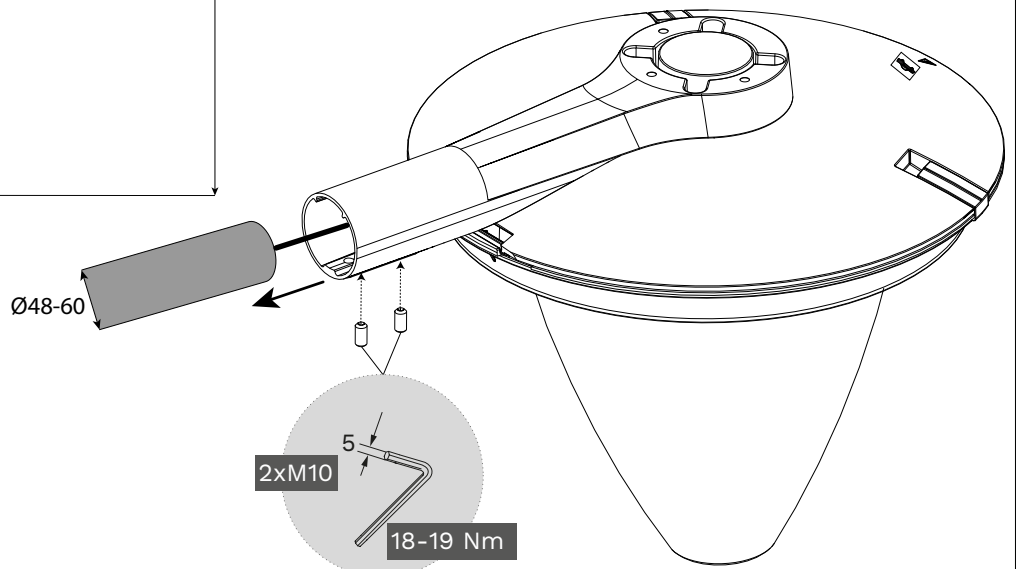
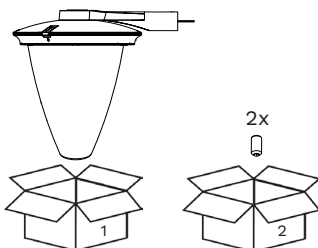
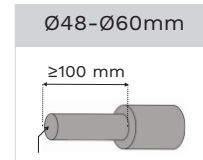
A	Ø504
B	662
C	626



## C. SIDE-ENTRY ENCLOSING Ø60MM



A	Ø504
B	662
C	652

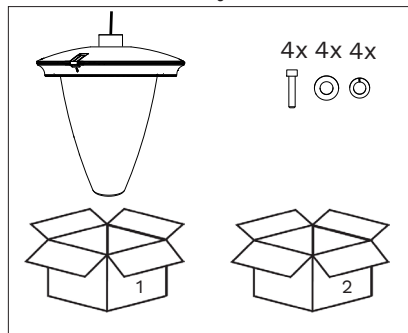




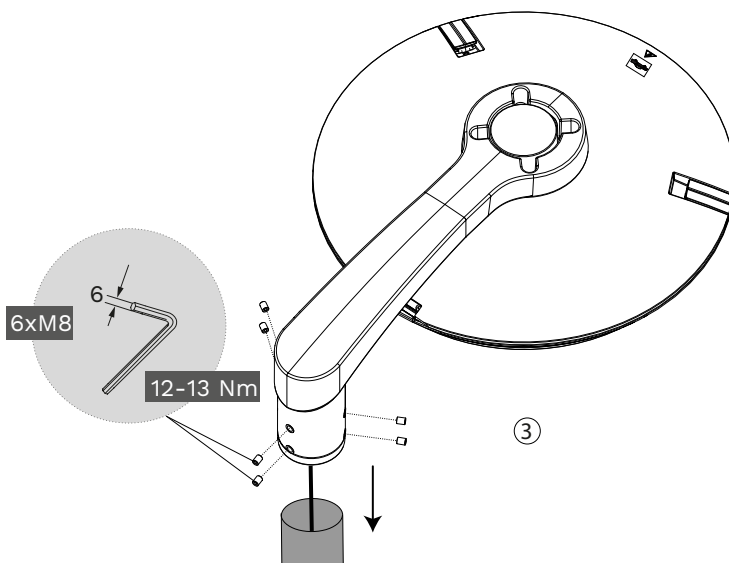
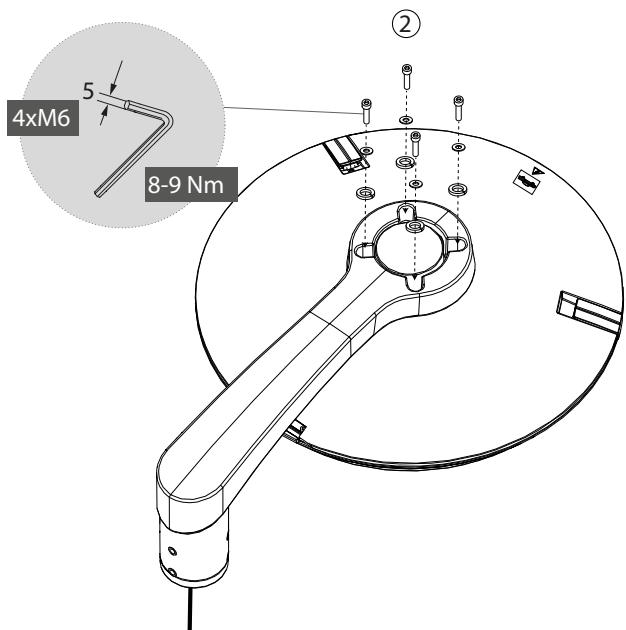
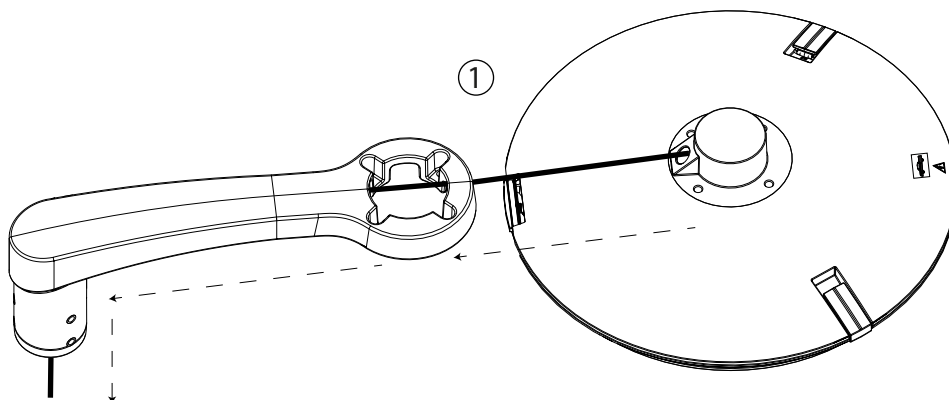
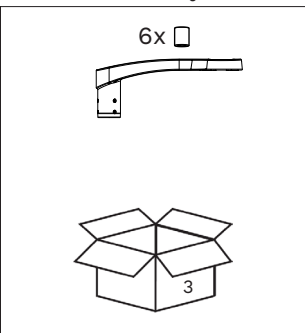
# E. SOFIA CONSOLE

For mounting on pole and dimensions, please refer to SOFIA console Installation Sheet & interface datasheet

Luminaire delivery



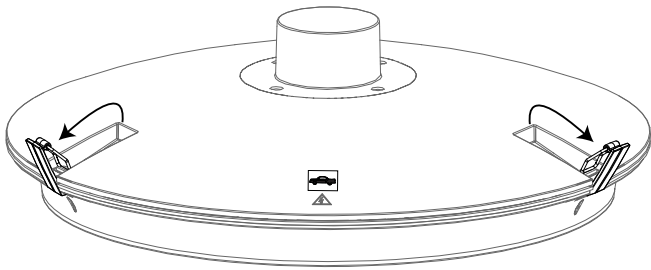
Bracket delivery



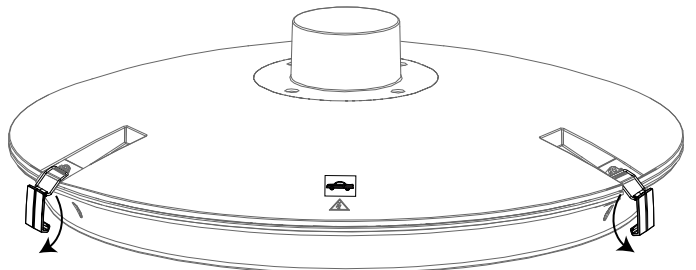


## F. MAINTENANCE CR-KIT EU

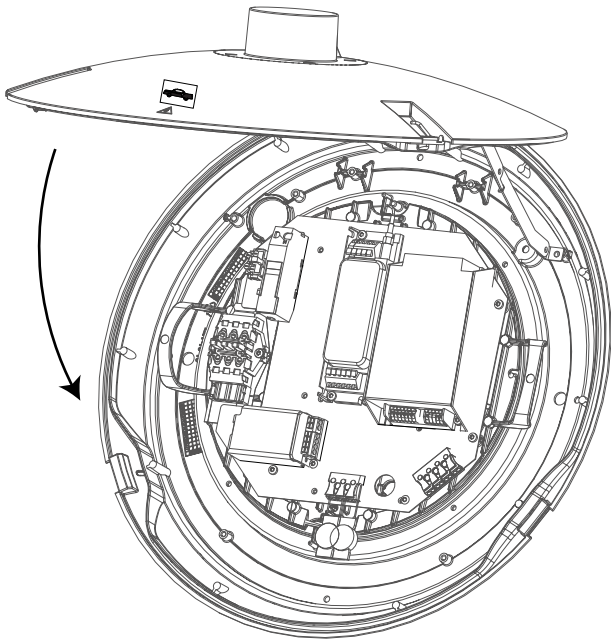
①



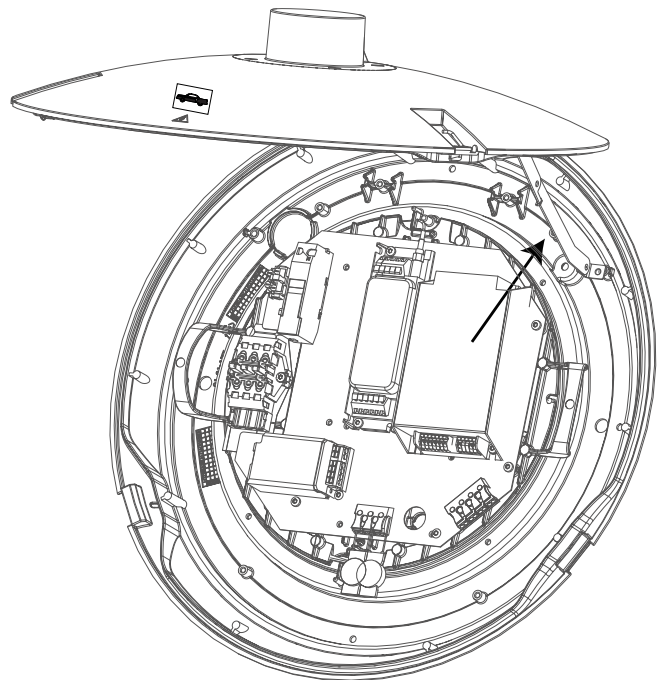
②



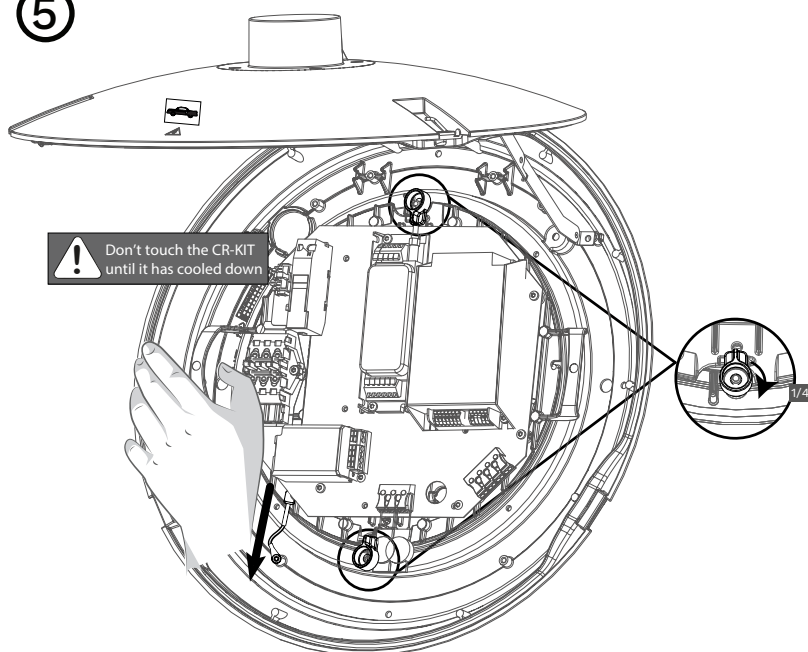
③



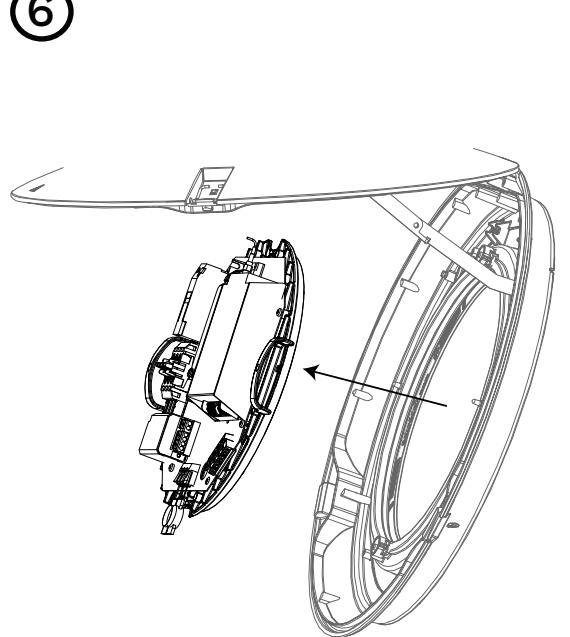
④



⑤



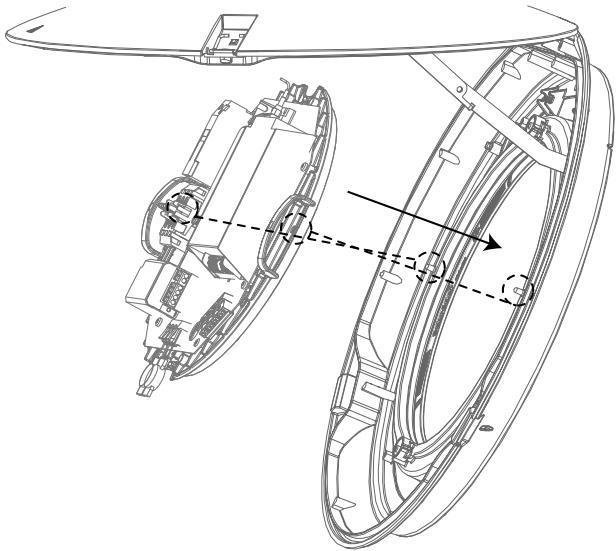
⑥



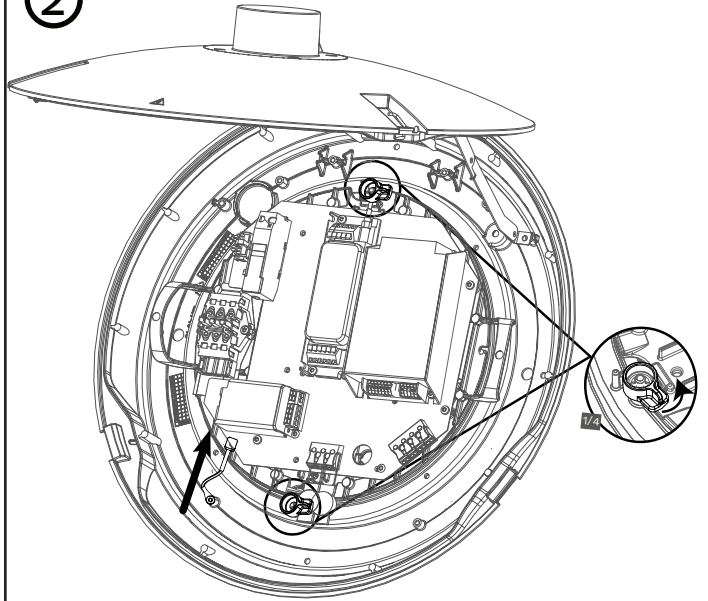


# G. REASSEMBLING

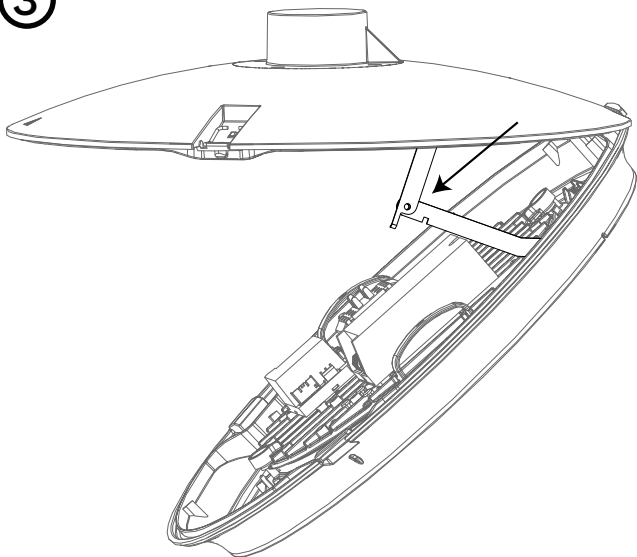
①



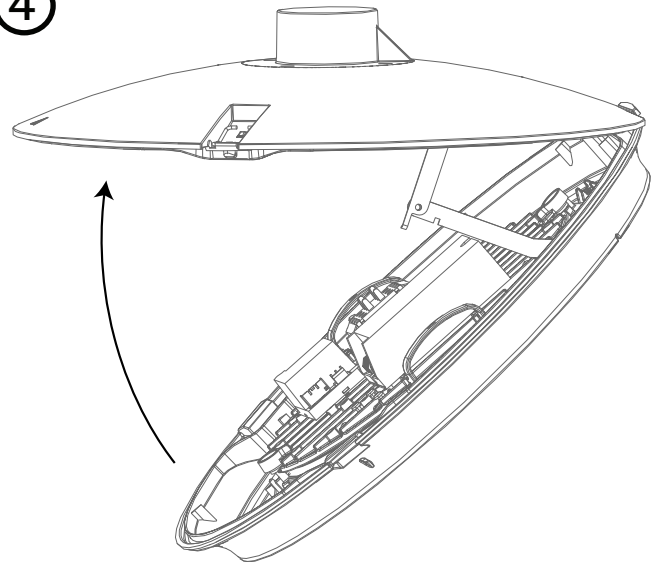
②



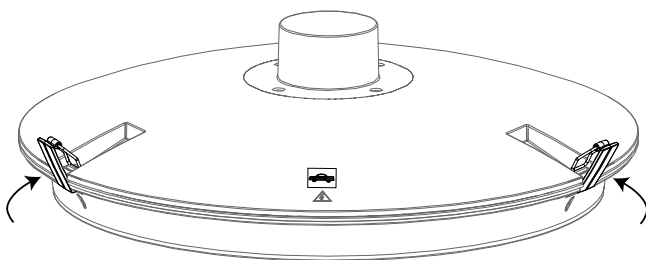
③



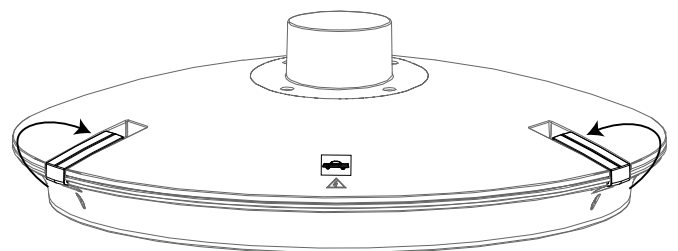
④



⑤



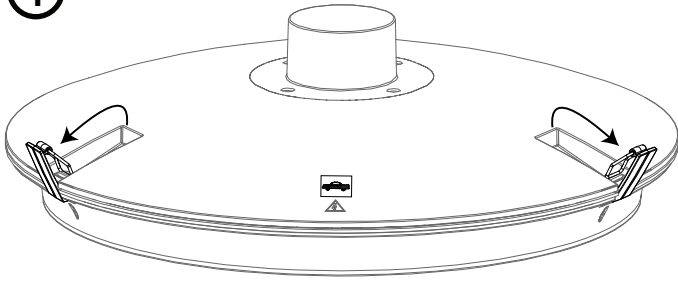
⑥



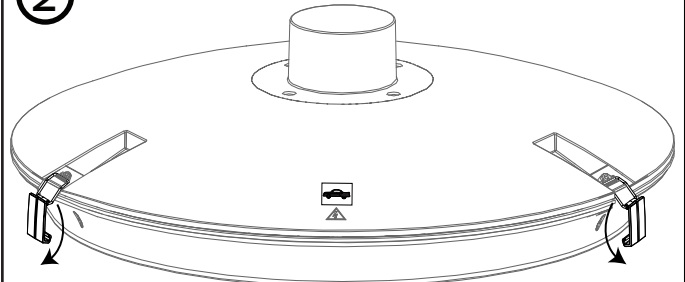


# H. MAINTENANCE CR-KIT CSA/UL

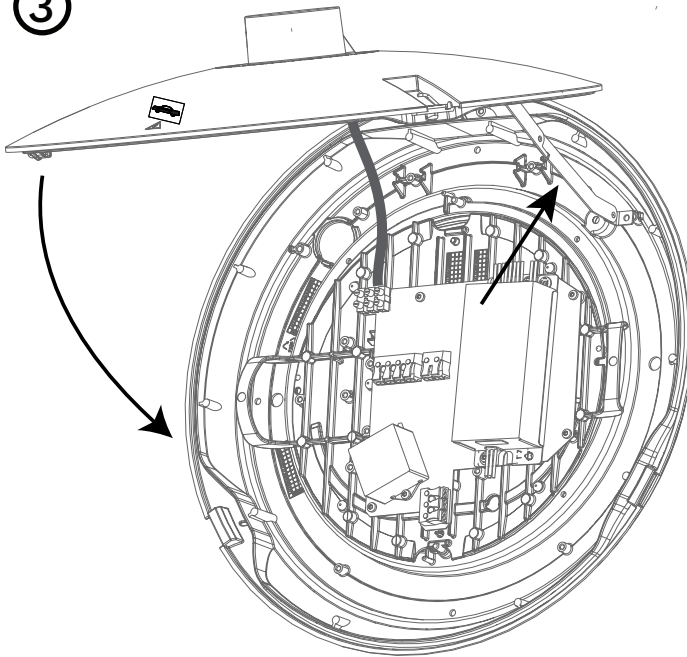
①



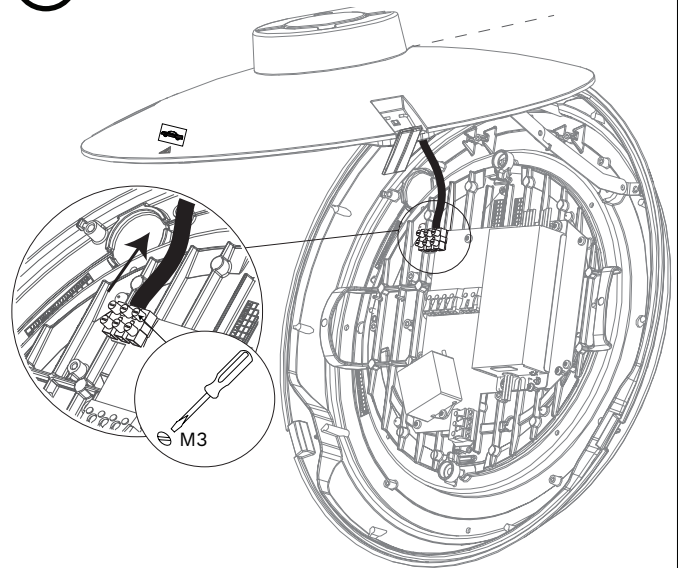
②



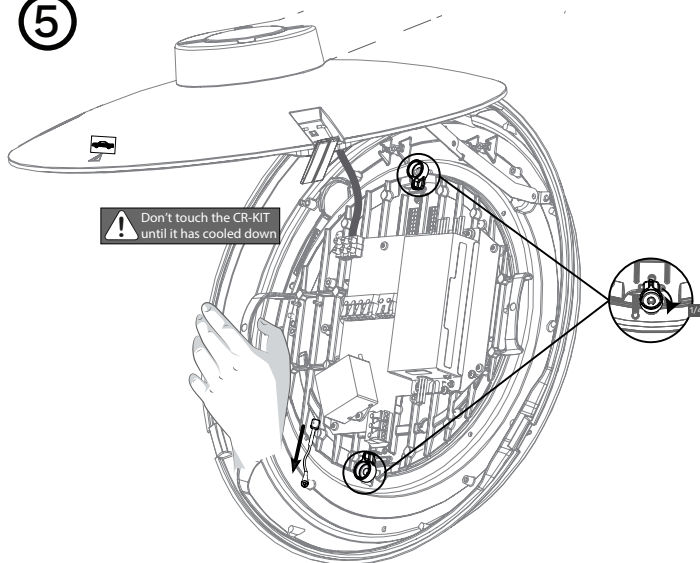
③



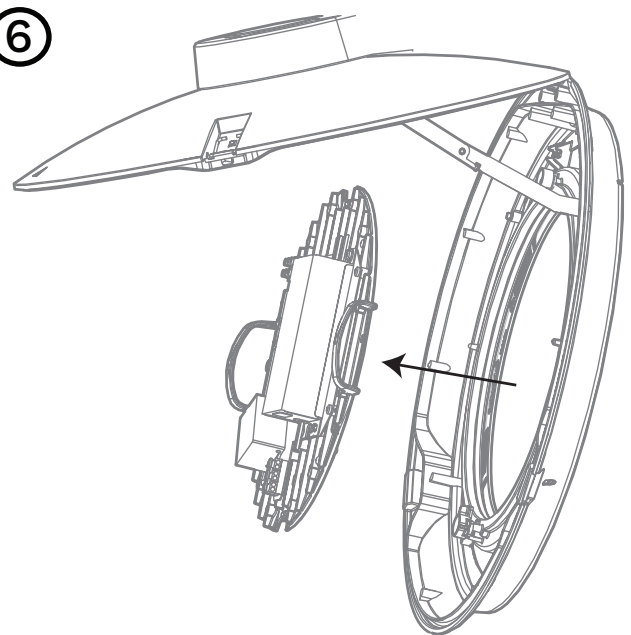
④



⑤



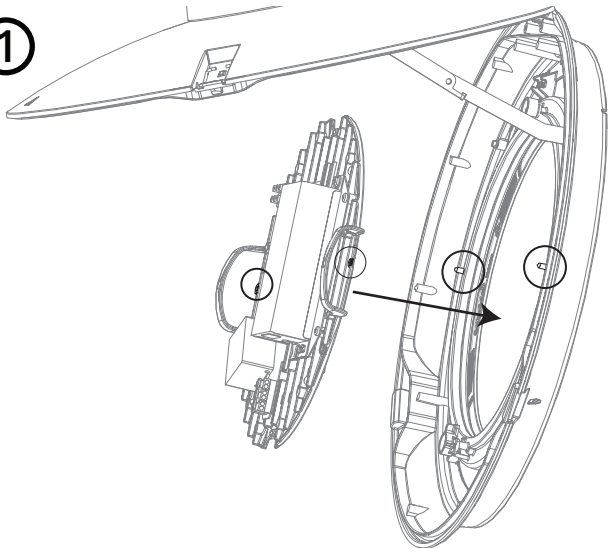
⑥



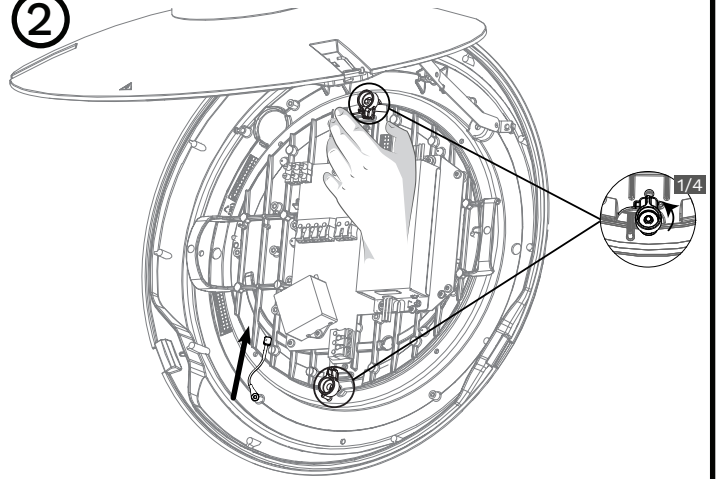


# I. REASSEMBLING

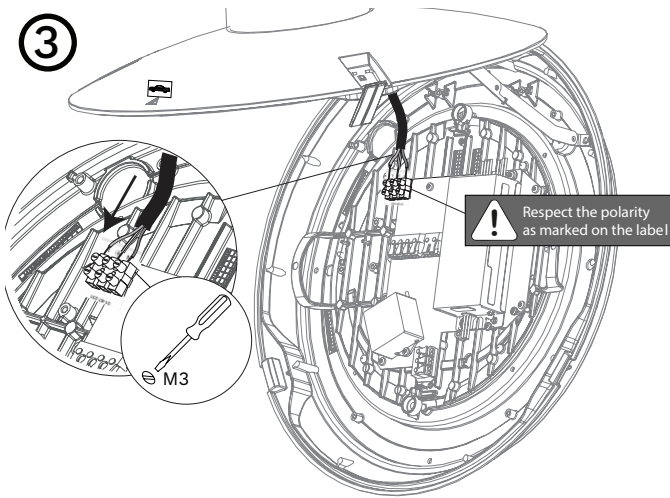
①



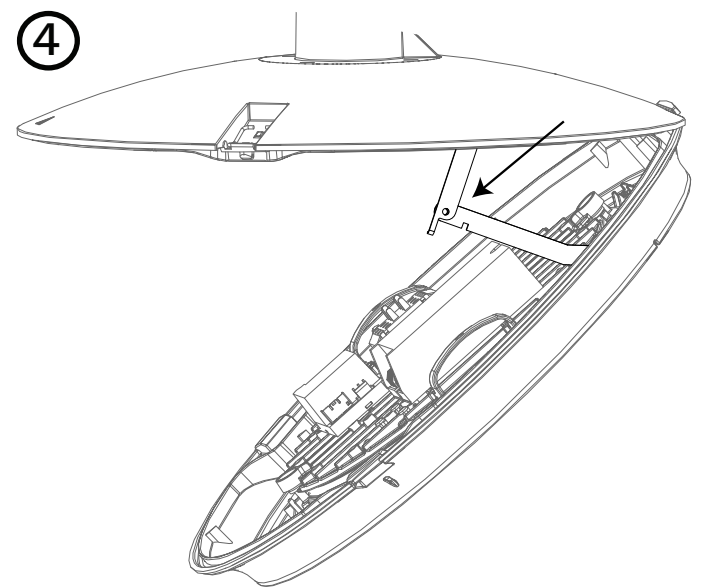
②



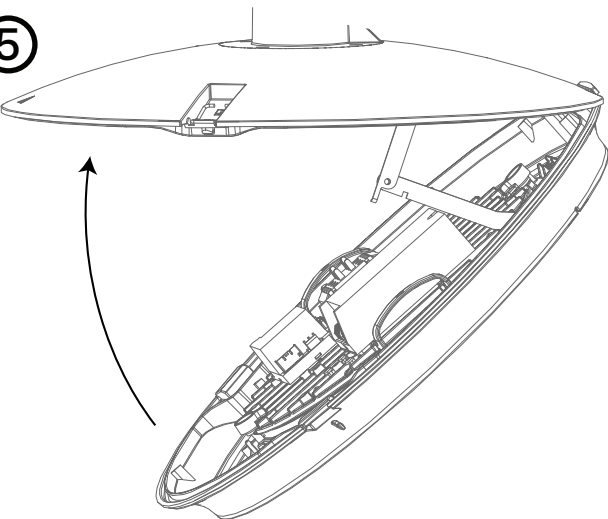
③



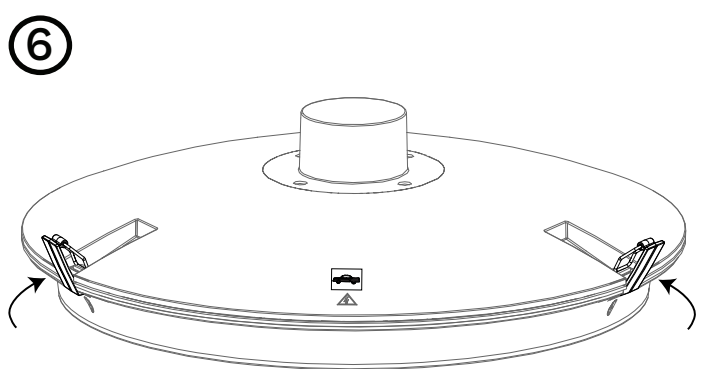
④



⑤



⑥



⑦

